



Series 2123

Zetco HVAC
WaterMarked
Ball Valve F&F
c/w Test Plug
& Drain Cock

FEATURES

MANUFACTURED IN ITALY

FULL BORE

WATERMARKED TO ATS 5200.012 LICENCE WMKA00110

INTEGRAL TWINLOK® TEST PLUG AND DRAIN COCK FOR HVAC INSTALLATIONS

FOR TEST PLUG SPECIFICATIONS REFER TO SERIES 2110

FOR DRAIN COCK SPECIFICATIONS REFER TO SERIES 2108

MUST BE OPERATED IN FULLY OPEN OR CLOSED POSITION

ALL VALVES PRESSURE TESTED DURING PRODUCTION

SIZE RANGE: 15MM TO 50MM

PRESSURE AND TEMPERATURE RATINGS

TEMPERATURE RANGE: 0°C TO 99°C

MAXIMUM OPERATING PRESSURE AT NOMINAL TEMPERATURES: 2000 kPa

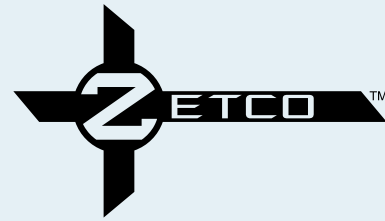


WaterMark

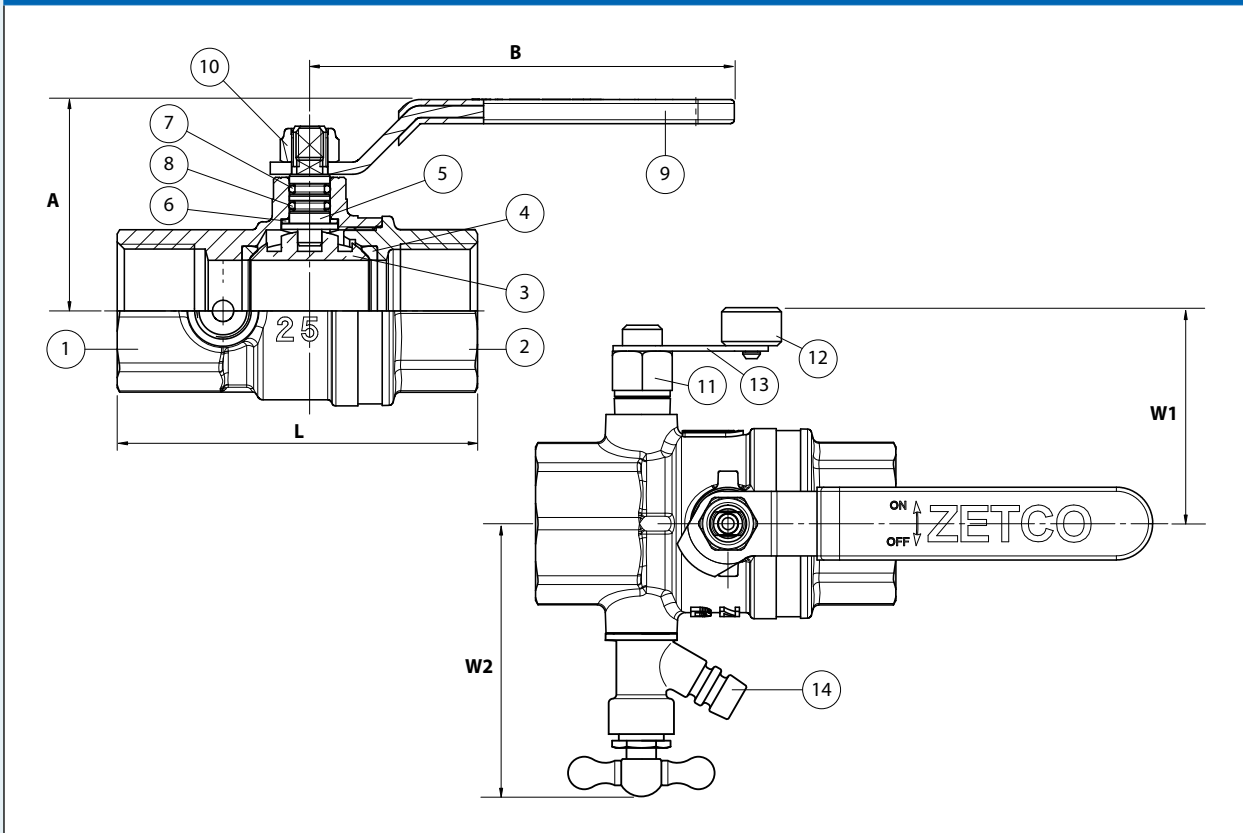
LN WMKA00110
ATS 5200.012

Series 2123

Zetco HVAC WaterMarked Ball Valve F&F
c/w Test Plug & Drain Cock



DIMENSIONAL AND COMPONENT DIAGRAM



MATERIALS

POS.	PART NAME	MATERIALS
1	BODY	DZR BRASS
2	END ADAPTOR	DZR BRASS
3	BALL	DZR BRASS (CHROME PLATED)
4	SEAL	PTFE
5	STEM	DZR BRASS
6	THRUST WASHER	PTFE
7	UPPER O-RING	EPDM
8	LOWER O-RING	HNBR
9	HANDLE	ZINC PLATED STEEL
10	NUT	ZINC PLATED STEEL
11	TWINLOK® TEST PLUG	DZR BRASS
12	TEST PLUG CAP	DZR BRASS
13	STRAP	RUBBER
14	DRAIN COCK	DZR BRASS

DIMENSIONS - mm

Prod. Code	Size	A	B	L	W1	W2	Kv	Wgt kg
2123015	15	41	85	70	50	60	20	0.326
2123020	20	48	105	72	53	63	60	0.449
2123025	25	52	105	86	56	66	100	0.630
2123032	32	63	130	102	61	72	130	0.906
2123040	40	68	130	113	65	75	170	1.29
2123050	50	83	165	136	71	81	280	2.09