



## Series 1004

Isis<sup>®</sup> Heavy Pattern  
WaterMarked  
& AGA Approved  
DZR Brass Ball Valve  
M&F T Handle

### FEATURES

MANUFACTURED IN ITALY

FULL BORE

WATERMARKED TO AS 5830.1 LICENCE WM-000110

AUSTRALIAN GAS ASSOCIATION APPROVAL #5301

CONICAL PTFE STEM SEALING SYSTEM

BLOW-OUT PROOF STEM

SUITABLE FOR USE WITH VACUUM

MUST BE OPERATED IN FULLY OPEN OR CLOSED POSITION

ALL VALVES PRESSURE TESTED DURING PRODUCTION

SIZE RANGE: 15MM TO 25MM

### PRESSURE AND TEMPERATURE RATINGS

TEMPERATURE RANGE: -20°C TO 120°C

MAXIMUM OPERATING PRESSURE AT NOMINAL TEMPERATURES:

FLUIDS 4000 kPa

FOR RATINGS AT SPECIFIC TEMPERATURES REFER TO GRAPH OVERLEAF

GAS 2100 kPa

BIM-MED<sup>AUS</sup>



AGA 5301 G  
AS 4617



WaterMark

IAPMO WM-000110  
AS 5830.1

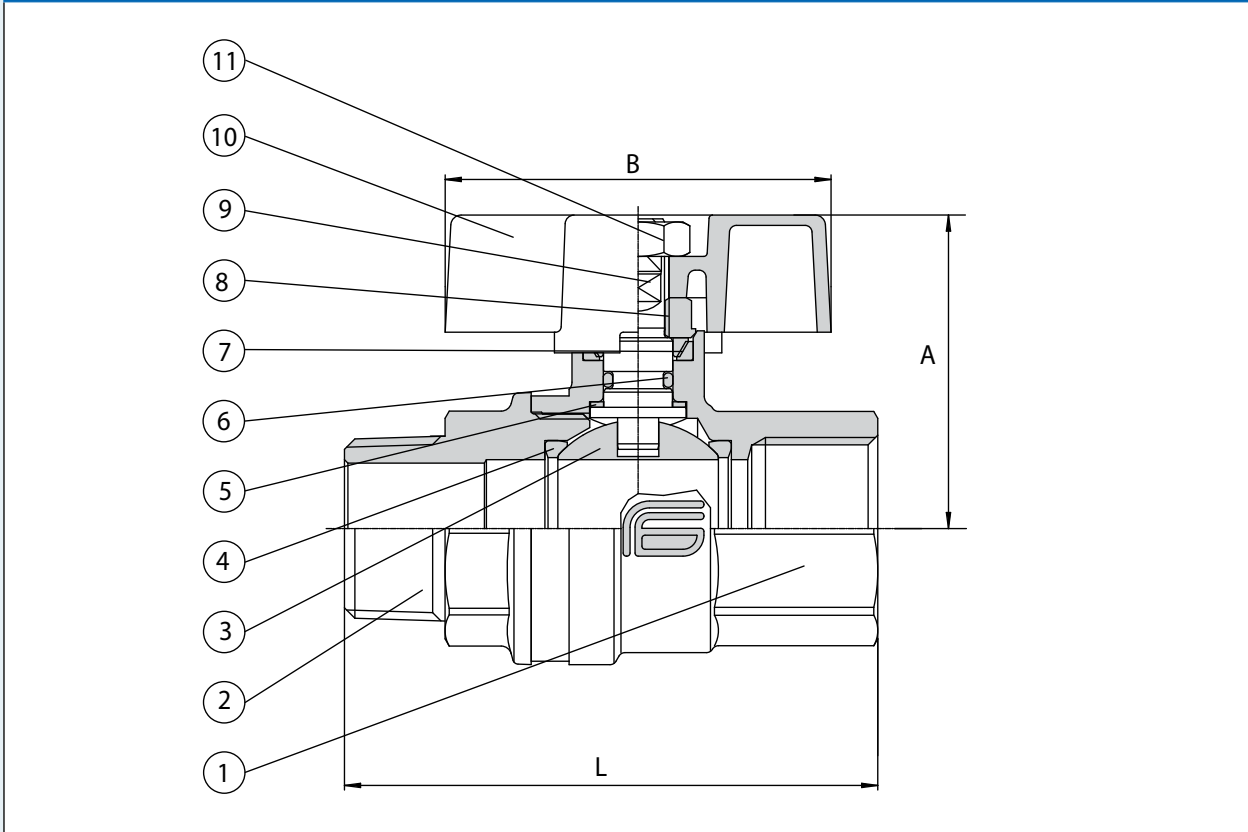
V.00

# Series 1004

Isis® Heavy Pattern WaterMarked & AGA  
Approved DZR Brass Ball Valve M&F T Handle



## DIMENSIONAL AND COMPONENT DIAGRAM



### MATERIALS

POS.	PART NAME	MATERIALS
1	BODY	DZR BRASS
2	END ADAPTOR	DZR BRASS
3	BALL	DZR BRASS (CHROME PLATED)
4	SEAL	PTFE
5	THRUST WASHER	PTFE
6	O-RING	EPDM
7	CONICAL SEAL	PTFE
8	GLAND NUT	DZR BRASS
9	STEM	DZR BRASS
10	HANDLE	POWDER COATED ALUMINIUM
11	NUT	ZINC PLATED STEEL

### DIMENSIONS - mm

Prod. Code	Size	A	B	L	Kv	Wgt kg
1004015	15	37	47	67	15	0.215
1004020	20	47	56	77.5	28	0.375
1004025	25	51	56	89	39	0.575

### PRESSURE/TEMPERATURE DIAGRAM

