



## Series 1060

### Zetco Bronze Ball Valve F&F Lever Handle

#### FEATURES

MANUFACTURED IN ITALY

FULL BORE

ALUMINIUM BRONZE BALL & STEM

STAINLESS STEEL 316 LEVER HANDLE

BLOW-OUT PROOF STEM

MUST BE OPERATED IN FULLY OPEN OR CLOSED POSITION

ALL VALVES PRESSURE TESTED DURING PRODUCTION

SIZE RANGE: 6MM TO 100MM

#### PRESSURE AND TEMPERATURE RATINGS

TEMPERATURE RANGE: -20°C TO 120°C

MAXIMUM OPERATING PRESSURE AT NOMINAL TEMPERATURES: 4000 kPa

FOR RATINGS AT SPECIFIC TEMPERATURES REFER TO GRAPH OVERLEAF

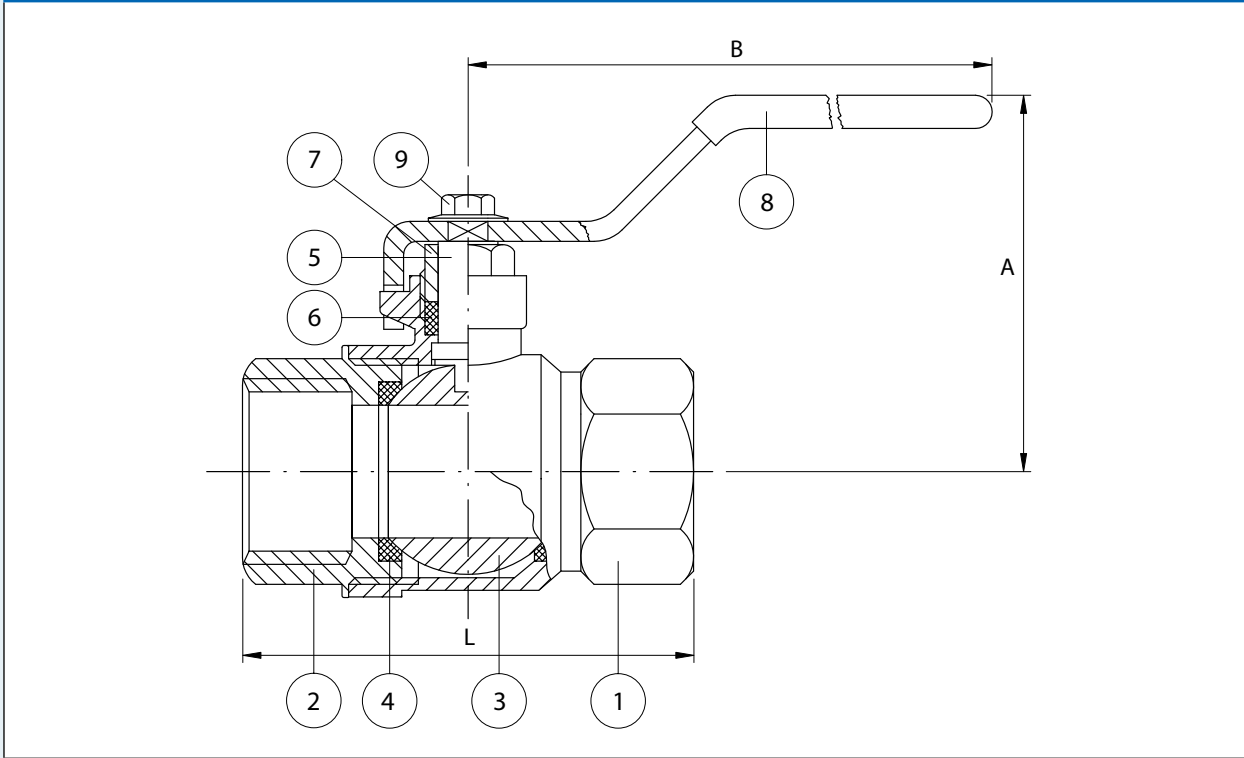


# Series 1060

## Zetco Bronze Ball Valve F&F Lever Handle



### DIMENSIONAL AND COMPONENT DIAGRAM



### MATERIALS

POS.	PART NAME	MATERIALS
1	BODY	BRONZE
2	END ADAPTOR	BRONZE
3	BALL	ALUMINIUM BRONZE
4	SEAL	PTFE
5	STEM	ALUMINIUM BRONZE
6	STEM PACKING	PTFE
7	GLAND	BRASS
8	HANDLE	STAINLESS STEEL 316
9	NUT	STAINLESS STEEL 304

### DIMENSIONS - mm

Prod. Code	Size	A	B	L	Kv	Wgt kg
1060006	6	38	80	39	6	0.120
1060010	10	38	80	39	8	0.117
1060015	15	55	92	57	15	0.265
1060020	20	56	92	68	28	0.393
1060025	25	68	126	79	39	0.591
1060032	32	72	126	91	84	0.923
1060040	40	82	142	105	156	1.59
1060050	50	88	142	127	243	2.61
1060065	65	125	255	147	476	5.06
1060080	80	135	286	182	770	7.00
1060100	100	165	286	219	1200	10.00

### PRESSURE/TEMPERATURE DIAGRAM

