



Series 1095

Zetco WaterMarked
DZR Brass Ball Valve
F&F DZR Brass
Hand Wheel

FEATURES

MANUFACTURED IN ITALY

FULL BORE

WATERMARKED TO AS 4796 LICENCE WM-022133

STAINLESS STEEL 316 BALL

DZR BRASS HAND WHEEL AND NUT

BLOW-OUT PROOF STEM

MUST BE OPERATED IN FULLY OPEN OR CLOSED POSITION

ALL VALVES PRESSURE TESTED DURING PRODUCTION

SIZE RANGE: 20MM TO 25MM

PRESSURE AND TEMPERATURE RATINGS

TEMPERATURE RANGE: -20°C TO 99°C

MAXIMUM OPERATING PRESSURE AT NOMINAL TEMPERATURES: 2500 kPa



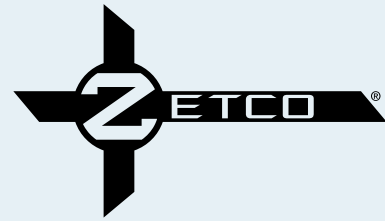
WaterMark

IAPMO WM-022133
AS 4796

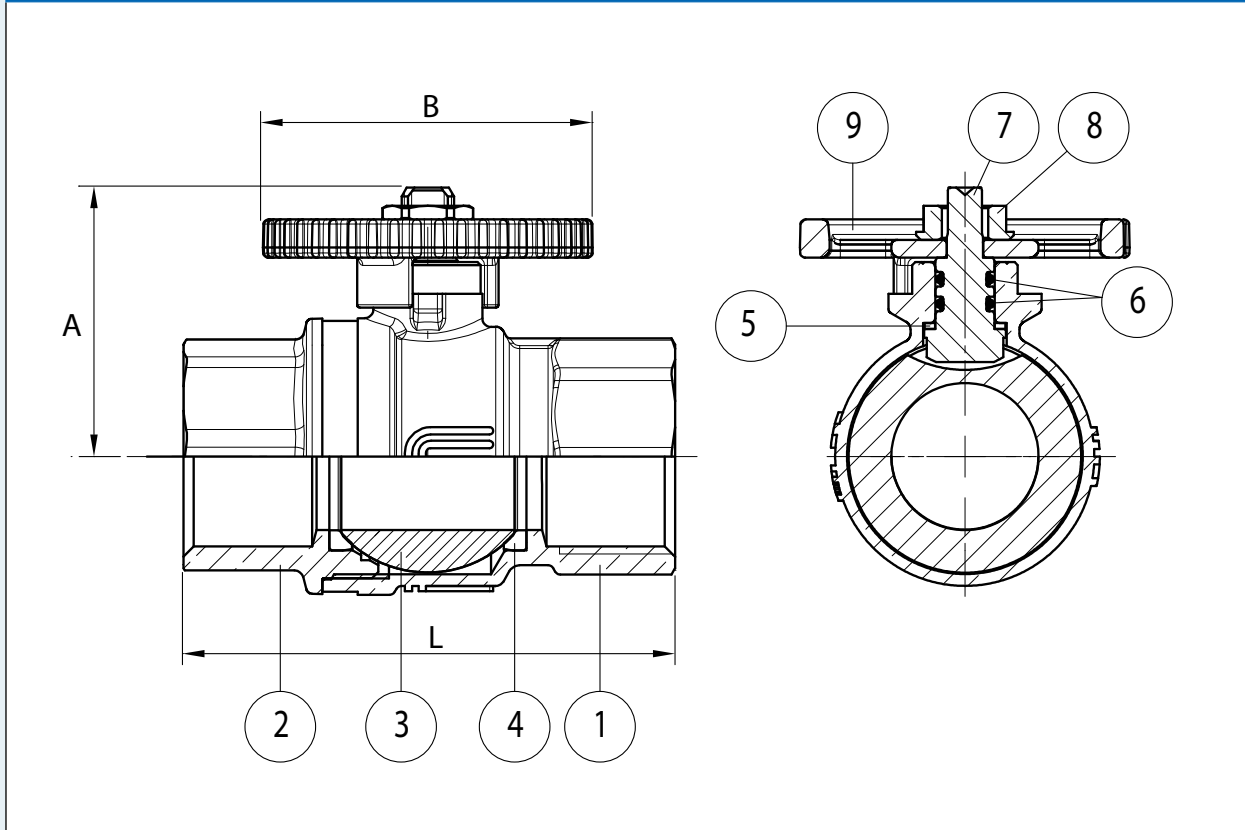
Series 1095

Zetco WaterMarked DZR Brass

Ball Valve F&F DZR Brass Hand Wheel



DIMENSIONAL AND COMPONENT DIAGRAM



MATERIALS

POS.	PART NAME	MATERIALS
1	BODY	DZR BRASS
2	END ADAPTOR	DZR BRASS
3	BALL	STAINLESS STEEL 316
4	SEAL	REINFORCED PTFE
5	THRUST WASHER	REINFORCED PTFE
6	O-RINGS	EPDM
7	STEM	DZR BRASS
8	NUT	DZR BRASS
9	HAND WHEEL	DZR BRASS

DIMENSIONS - mm

Prod. Code	Size	A	B	L	Kv	Wgt kg
1095020	20	41.7	56	69	28	0.340
1095025	25	45.7	56	83	39	0.560