



Series 4480 & 4481

Zetco WaterMarked
2-Piece
Stainless Steel
Flanged Ball Valve

FEATURES

MANUFACTURED IN CHINA

STAINLESS STEEL 316

WATERMARKED TO AS 5830.1 LICENCE WM-022438

INVESTMENT CASTING

ISO MOUNTING PAD WITH LOCKABLE HANDLE

FULL BORE

BLOW-OUT PROOF STEM

DESIGNED TO ANSI B16.34

FACE TO FACE DIMENSIONS ANSI B16.10

END FLANGE DIMENSIONS ANSI B16.5 150 OR AS 2129 TABLE E

ALL VALVES PRESSURE TESTED TO API 598 DURING PRODUCTION

MUST BE OPERATED IN FULLY OPEN OR CLOSED POSITION

SIZE RANGE: 50MM TO 100MM

PRESSURE AND TEMPERATURE RATINGS

MAXIMUM OPERATING TEMPERATURE: -20° TO 150°

MAXIMUM OPERATING PRESSURES AT NOMINAL TEMPERATURES: 2000kPa

FOR RATINGS AT SPECIFIC TEMPERATURES REFER TO GRAPH OVERLEAF



WaterMark

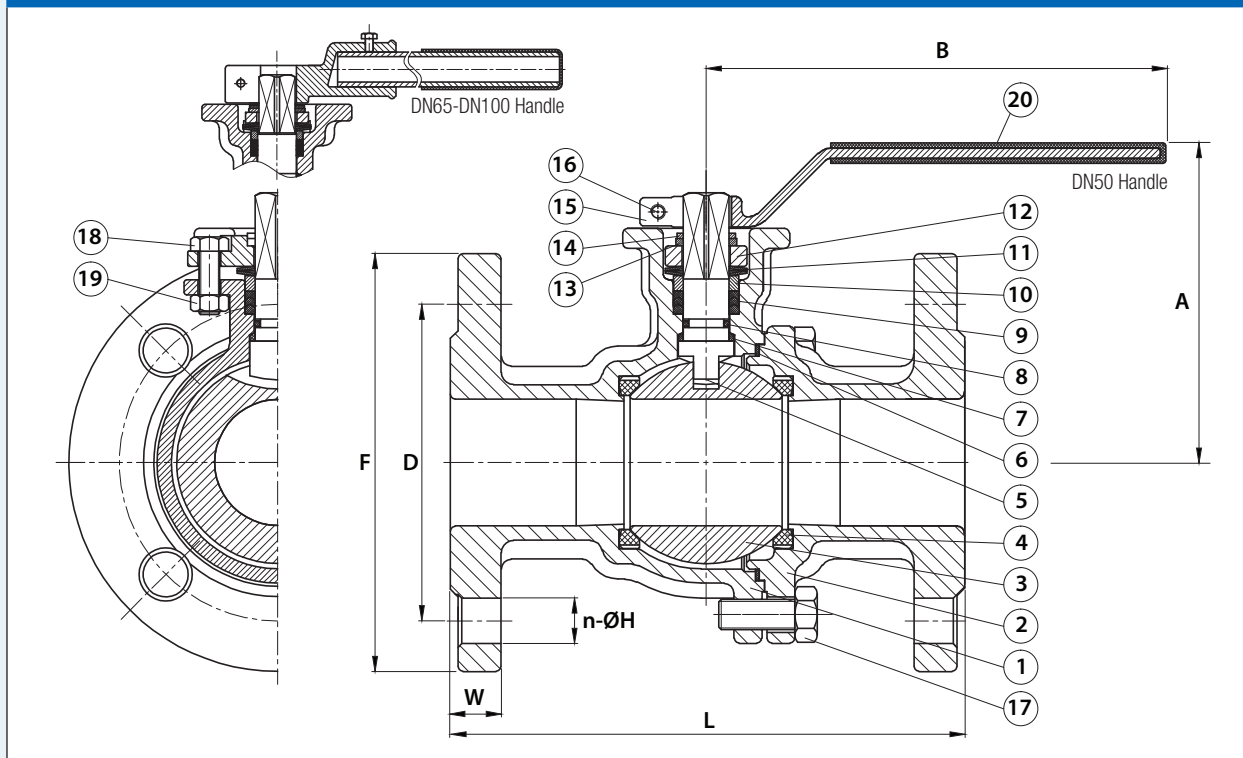
IAPMO WM-022438
AS 5830.1

Series 4480 & 4481

Zetco WaterMarked 2-Piece
Stainless Steel Flanged Ball Valve



DIMENSIONAL AND COMPONENT DIAGRAM



MATERIALS

POS.	PART NAME	MATERIALS
1	BODY	STAINLESS STEEL 316
2	CAP	STAINLESS STEEL 316
3	BALL	STAINLESS STEEL 316
4	SEAT	PTFE
5	STEM	STAINLESS STEEL 316
6	GASKET	PTFE
7	THRUST WASHER	PTFE
8	O-RING	VITON®
9	PACKING	PTFE
10	GLAND	STAINLESS STEEL 304
11	BELLEVILLE WASHER	STAINLESS STEEL 304
12	GLAND FLANGE	STAINLESS STEEL 316
13	STOPPER	STAINLESS STEEL 304
14	SNAP RING	STAINLESS STEEL 304
15	HANDLE	STAINLESS STEEL 304
16	BOLT	STAINLESS STEEL 304
17	BOLT	STAINLESS STEEL 304
18	BOLT	STAINLESS STEEL 304
19	NUT	STAINLESS STEEL 304
20	HANDLE COVER	PLASTIC

DIMENSIONS - mm

Table E	Size	A	B	F	D	W	L	n - ØH	Kv	Wgt kg
4480050	50	127	185	152	114	16	178	4 - 18	480	7.15
4480065	65	154	360	165	127	18	190	4 - 18	750	13.91
4480080	80	165	360	185	146	19	203	4 - 18	1300	15.90
4480100	100	183	400	215	178	24	229	8 - 18	2300	26.40
ANSI 150	Size	A	B	F	D	W	L	n - ØH	Kv	Wgt kg
4481050	50	127	185	152	120.5	16	178	4 - 19	480	7.15
4481065	65	154	360	178	139.5	18	190	4 - 19	750	13.91
4481080	80	165	360	190	152.5	19	203	4 - 19	1300	15.90
4481100	100	183	400	229	190.5	24	229	8 - 19	2300	26.40

PRESSURE/TEMPERATURE DIAGRAM

