



Series 1002

Isis[®] Heavy Pattern
WaterMarked
& AGA Approved
DZR Brass Ball Valve
F&F T Handle

FEATURES

MANUFACTURED IN ITALY

FULL BORE

WATERMARKED TO AS 5830.1 LICENCE WM-000110

AUSTRALIAN GAS ASSOCIATION APPROVAL #5301

CONICAL PTFE STEM SEALING SYSTEM

BLOW-OUT PROOF STEM

SUITABLE FOR USE WITH VACUUM

MUST BE OPERATED IN FULLY OPEN OR CLOSED POSITION

ALL VALVES PRESSURE TESTED DURING PRODUCTION

SIZE RANGE: 6MM TO 25MM

PRESSURE AND TEMPERATURE RATINGS

TEMPERATURE RANGE: -20°C TO 120°C

MAXIMUM OPERATING PRESSURE AT NOMINAL TEMPERATURES:

FLUIDS 4000 kPa

FOR RATINGS AT SPECIFIC TEMPERATURES REFER TO GRAPH OVERLEAF

GAS 2100 kPa

BIM-MED^{AUS}



AGA 5301 G
AS 4617



WaterMark

IAPMO WM-000110
AS 5830.1

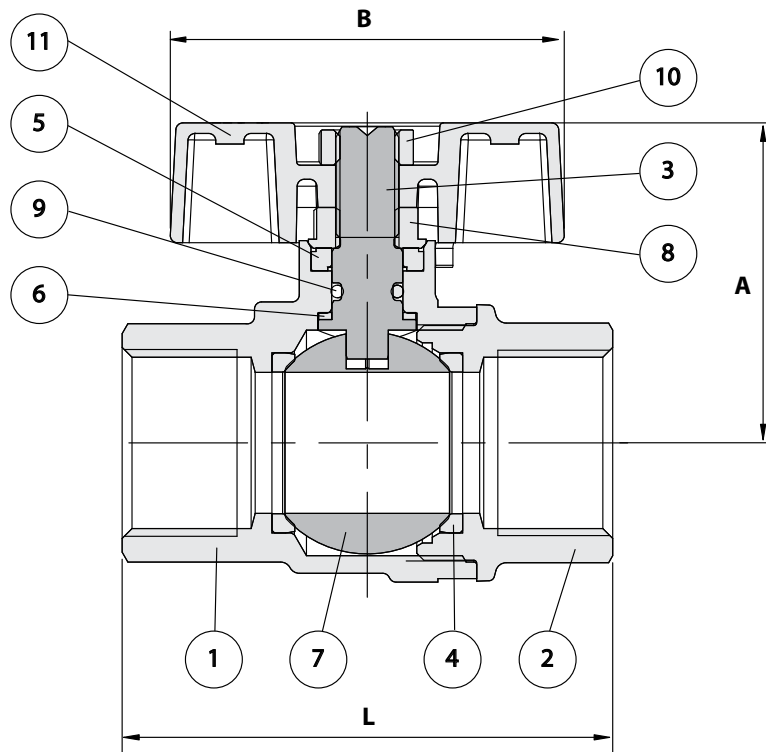
V.00

Series 1002

Isis® Heavy Pattern WaterMarked & AGA
Approved DZR Brass Ball Valve F&F T Handle



DIMENSIONAL AND COMPONENT DIAGRAM



MATERIALS

POS.	PART NAME	MATERIALS
1	BODY	DZR BRASS
2	END ADAPTOR	DZR BRASS
3	STEM	DZR BRASS
4	SEAL	PTFE
5	CONICAL SEAL	PTFE
6	THRUST WASHER	PTFE
7	BALL	DZR BRASS (CHROME PLATED)
8	GLAND NUT	DZR BRASS
9	O-RING	EPDM
10	NUT	ZINC PLATED STEEL
11	HANDLE	POWDER COATED ALUMINIUM

DIMENSIONS - mm

Prod. Code	Size	A	B	L	Kv	Wgt kg
1002006	6	38	47	48	6	0.170
1002010	10	38	47	49	8	0.160
1002015	15	37	47	60	15	0.205
1002020	20	47	56	69	28	0.345
1002025	25	51	56	83	39	0.550

PRESSURE/TEMPERATURE DIAGRAM

