



Series 1016

Zetco WaterMarked
DZR Brass Ball Valve
M&F DZR Brass
Lockable T Handle & Nut

FEATURES

MANUFACTURED IN ITALY

FULL BORE

DZR BRASS T HANDLE, NUT AND LOCKING MECHANISM

LOCKABLE HANDLE ALLOWS VALVE TO BE LOCKED IN OPEN OR CLOSED POSITION

WATERMARKED TO AS 4796 LICENCE WM-022133

BLOW-OUT PROOF STEM

MUST BE OPERATED IN FULLY OPEN OR CLOSED POSITION

ALL VALVES PRESSURE TESTED DURING PRODUCTION

SIZE RANGE: 20MM TO 25MM

PRESSURE AND TEMPERATURE RATINGS

TEMPERATURE RANGE: -20°C TO 99°C

MAXIMUM OPERATING PRESSURE AT NOMINAL TEMPERATURES: 2500kPa

FOR RATINGS AT SPECIFIC TEMPERATURES REFER TO GRAPH OVERLEAF



WaterMark

IAPMO WM-022133
AS 4796

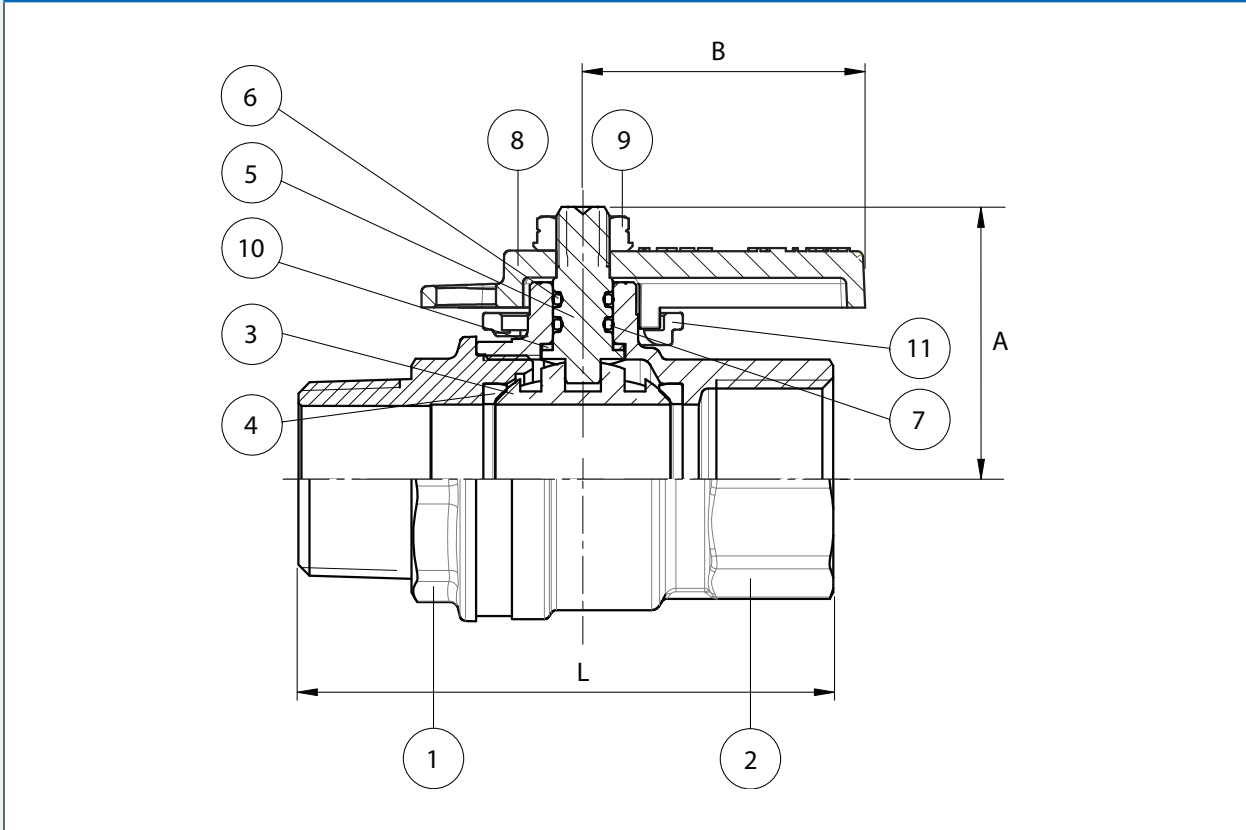
V.00

Series 1016

Zetco WaterMarked DZR Brass Ball Valve
M&F DZR Brass Lockable T Handle & Nut



DIMENSIONAL AND COMPONENT DIAGRAM



MATERIALS

POS.	PART NAME	MATERIALS
1	BODY	DZR BRASS
2	END ADAPTOR	DZR BRASS
3	BALL	STAINLESS STEEL 316
4	SEAL	PTFE
5	STEM	DZR BRASS
6	UPPER O-RING	HNBR
7	LOWER O-RING	EPDM PEROXIDE
8	HANDLE	DZR BRASS
9	NUT	DZR BRASS
10	THRUST WASHER	PTFE
11	LOCKING PLATE	DZR BRASS

DIMENSIONS - mm

Prod. Code	Size	A	B	L	Kv	Wgt kg
1016020	20	42	47.3	78	28	0.384
1016025	25	46	47.3	90	39	0.529

PRESSURE/TEMPERATURE DIAGRAM

