



Series 1020

Isis[®] WaterMarked
DZR Brass Combined
Ball Valve & Y Strainer

FEATURES

MANUFACTURED IN ITALY

FULL BORE

WATERMARKED TO ATS 5200.012 LICENCE WMKA00110

800 MICRON MESH

BLOW-OUT PROOF STEM

CONICAL PTFE STEM SEALING SYSTEM

MUST BE OPERATED IN FULLY OPEN OR CLOSED POSITION

ALL VALVES PRESSURE TESTED DURING PRODUCTION

SIZE RANGE: 15MM TO 25MM

PRESSURE AND TEMPERATURE RATINGS

TEMPERATURE RANGE: -20°C TO 120°C

MAXIMUM OPERATING PRESSURE AT NOMINAL TEMPERATURES: 2500 kPa



WaterMark

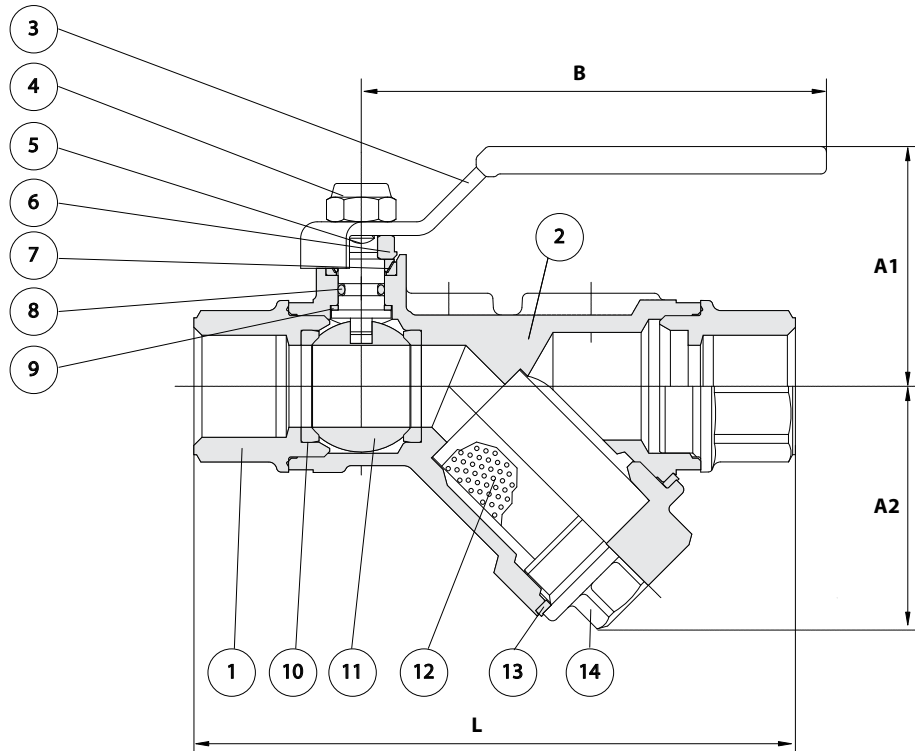
LN WMKA00110
ATS 5200.012

Series 1020

Isis® WaterMarked DZR Brass
Combined Ball Valve & Y Strainer



DIMENSIONAL AND COMPONENT DIAGRAM



MATERIALS

POS.	PART NAME	MATERIALS
1	END ADAPTOR	DZR BRASS
2	BODY	DZR BRASS
3	HANDLE	ZINC PLATED STEEL
4	NUT	ZINC PLATED STEEL
5	STEM	DZR BRASS
6	GLAND NUT	BRASS
7	CONICAL SEAL	PTFE
8	O-RING	EPDM
9	THRUST WASHER	PTFE
10	SEAL	PTFE
11	BALL	DZR BRASS (CHROME PLATED)
12	FILTER	STAINLESS STEEL 316
13	GASKET	PTFE
14	CAP	DZR BRASS

DIMENSIONS - mm

Prod. Code	Size	A1	A2	B	L	Wgt kg
1020015	15	43.8	44.5	85	110	0.528
1020020	20	52	56.3	105	129	0.798
1020025	25	55.8	59	105	151	1.18