



## Series 1027

Zetco WaterMarked  
DZR Brass Ball Valve  
F&F Lilac Lockable  
Lever Handle

### FEATURES

MANUFACTURED IN ITALY

FULL BORE

LILAC LEVER FOR USE WITH RECYCLED WATER APPLICATIONS

LOCKABLE HANDLE ALLOWS VALVE TO BE LOCKED IN OPEN OR CLOSED POSITION

WATERMARKED TO ATS 5200.012 LICENCE WMKA00110

BLOW-OUT PROOF STEM

MUST BE OPERATED IN FULLY OPEN OR CLOSED POSITION

ALL VALVES PRESSURE TESTED DURING PRODUCTION

SIZE RANGE: 15MM TO 100MM

### PRESSURE AND TEMPERATURE RATINGS

TEMPERATURE RANGE: -20°C TO 99°C

MAXIMUM OPERATING PRESSURE AT NOMINAL TEMPERATURES:

15MM TO 25MM: 4000 kPa

32MM TO 50MM: 2500 kPa

65MM TO 100MM: 2500 kPa



**WaterMark**

LN WMKA00110  
ATS 5200.012

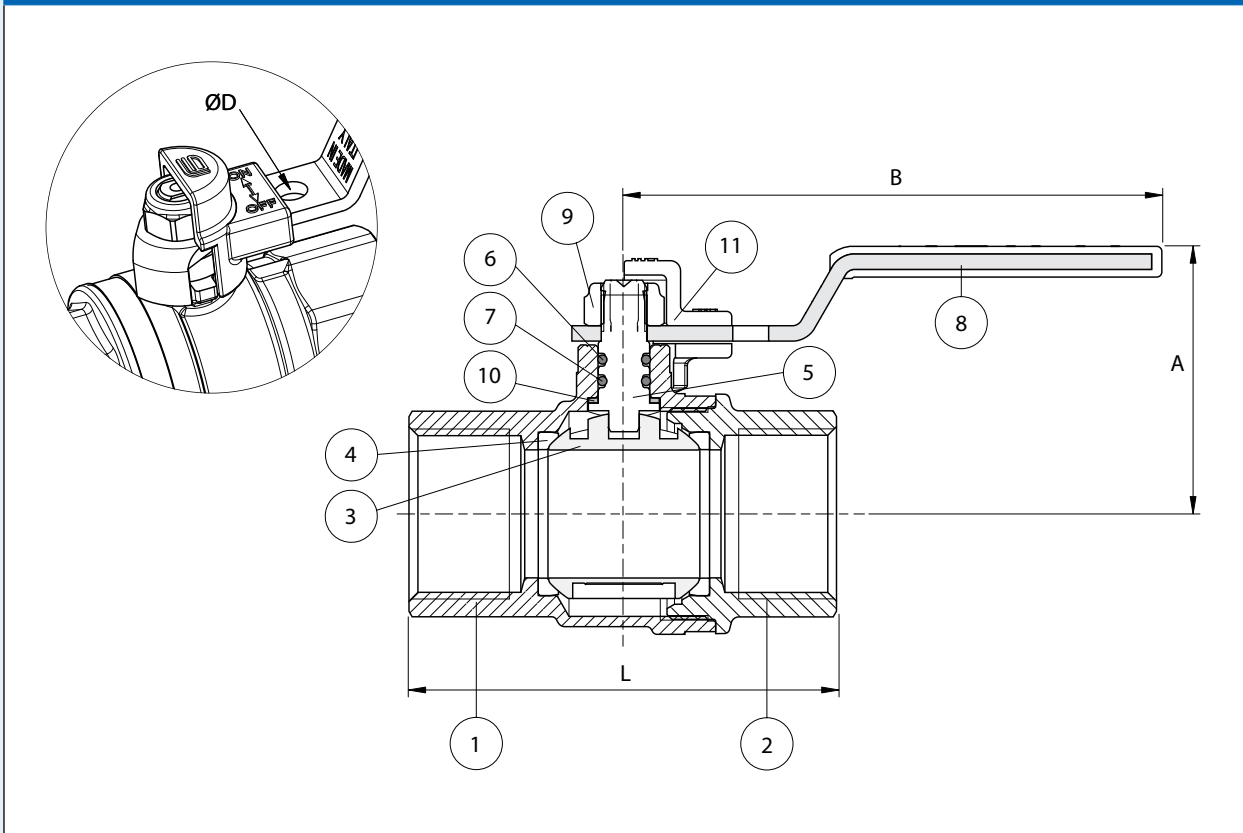
# Series 1027

Zetco WaterMarked DZR Brass Ball Valve

F&F Lilac Lockable Lever Handle



## DIMENSIONAL AND COMPONENT DIAGRAM



### MATERIALS

POS.	PART NAME	MATERIALS
1	BODY	DZR BRASS
2	END ADAPTOR	DZR BRASS
3	BALL	DZR BRASS (CHROME PLATED)
4	SEAL	PTFE
5	STEM	DZR BRASS
6	UPPER O-RING	HNBR
7	LOWER O-RING	EPDM PEROXIDE
8	HANDLE	ZINC PLATED STEEL
9	NUT	ZINC PLATED STEEL
10	THRUST WASHER	PTFE
11	LOCKING MECHANISM	ZINC PLATED STEEL

### DIMENSIONS - mm

Prod. Code	Size	A	B	L	ØD	Kv	Wgt kg
1027015	15	40	85	60	6	20	0.203
1027020	20	48	105	69	7	60	0.332
1027025	25	52	105	83	7	100	0.503
1027032	32	63	130	96.5	8	130	0.871
1027040	40	69	130	107	8	170	1.31
1027050	50	83	165	129	9	280	1.90
1027065	65	126	250	159	10	510	3.85
1027080	80	137	250	182	10	770	6.00
1027100	100	152	250	219	10	1200	10.50