



## Series 1051

**Zetco WaterMarked  
& AGA Approved  
DZR Brass Ball Valve M&F  
S/Steel Lever & Nut**

### DESCRIPTION

A WaterMarked (to AS 5830.1, Licence WM-000110) and AGA approved to (AS 4617, Approval No. 5301) ball valve in quality DZR brass with male and female threads, ideal for use with both potable water and gas. A double o-ring stem system prevents leakage and a 316 stainless steel lever handle and nut provide superior resistance to corrosion in harsh environments.

### FEATURES

<b>Design</b>	<p>Forged dezincification resistant brass body</p> <p>Robust stainless steel 316 lever and nut for reliable operation</p> <p>PTFE ball seals for smooth, reliable operation</p> <p>Blow-out proof double o-ring stem sealing to prevent leakage</p>
<b>Production</b>	<p>Manufactured in Italy under ISO 9001 Quality Management System</p> <p>All valves are pressure tested during production</p>
<b>Technical</b>	<p>Female ISO 7/1 Rp (BSP) threaded connection</p> <p>Male ISO 7/1 R (BSP) threaded connection</p> <p>Flow capacity: Full bore</p> <p>Flow control: On/off only, not intended for throttling</p> <p>Temperature range: -20°C to 99°C</p> <p>Max. pressure water: 2500 kPa</p> <p>Max. pressure gas: 2100 kPa</p> <p>Refer to graph for ratings at specific temperatures</p>
<b>Options &amp; Variants</b>	<p>Size range: DN8 (1/4") to DN50 (2")</p> <p>Series 1053 WaterMarked DZR brass BSP M&amp;F T handle</p> <p>Series 1050 WaterMarked DZR brass BSP F&amp;F stainless lever</p> <p>Series 1008 WaterMarked DZR brass BSP M&amp;F lockable</p> <p>Series 1003 WaterMarked heavy pattern BSP M&amp;F lever</p> <p>Other handle colour and material options available</p>

**BIM-MEP**<sup>AUS</sup>



AGA 5301 G  
AS 4617



**WaterMark**

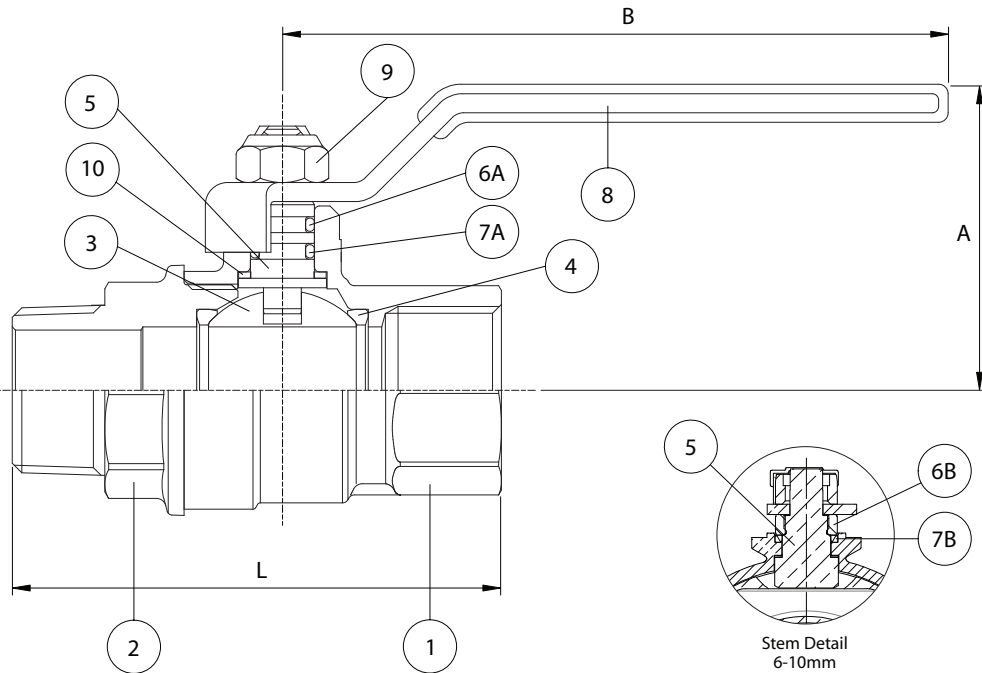
IAPMO WM-000110  
AS 5830.1

# Series 1051

Zetco WaterMarked & AGA Approved  
DZR Brass Ball Valve M&F S/Steel Lever & Nut



## DIMENSIONAL AND COMPONENT DIAGRAM



### PARTS MATERIALS

POS.	PART	MATERIAL
1	BODY	DZR BRASS
2	END ADAPTOR	DZR BRASS
3	BALL	DZR BRASS (CHROME PLATED)
4	SEAL	PTFE
5	STEM	DZR BRASS
6A	UPPER O-RING	HNBR
7A	LOWER O-RING	EPDM PEROXIDE
6B	GLAND NUT	BRASS
7B	CONICAL SEAL	PTFE
8	HANDLE	STAINLESS STEEL 316
9	NUT	STAINLESS STEEL 316
10	THRUST WASHER	PTFE

### DIMENSIONS (mm)

Prod. Code	DN	Size - (mm)	A	B	L	Kv	Wgt Kg
1051006	8	1/4" - (6.3)	37	85	51	6	0.148
1051010	10	3/8" - (9.5)	37	85	54	8	0.148
1051015	15	1/2" - (12.7)	37	85	68	15	0.217
1051020	20	3/4" - (19.0)	40	105	78	28	0.363
1051025	25	1" - (25.4)	48	105	90	39	0.549
1051032	32	1 1/4" - (31.7)	63	130	104	84	0.921
1051040	40	1 1/2" - (38.1)	69	130	114	156	1.35
1051050	50	2" - (50.8)	83	165	136	243	2.32

### PRESSURE/TEMPERATURE GRAPH

