



## Series 1052

**Zetco WaterMarked  
& AGA Approved  
DZR Brass Ball Valve  
F&F T Handle**

### DESCRIPTION

A DZR brass, female threaded ball valve WaterMarked to AS 5830.1 (Licence WM-000110) and AGA approved to AS 4617 (Approval No. 5301) with a compact T handle for use in tight spaces. Dual approval makes this an ideal valve for use in both potable water and gas installations and the double o-ring stem sealing system ensures excellent leak prevention in a wide range of applications.

### FEATURES

<b>Design</b>	<p>Forged dezincification resistant brass body</p> <p>Compact handle design for applications with limited space</p> <p>PTFE ball seals for smooth, reliable operation</p> <p>Blow-out proof double o-ring stem sealing to prevent leakage</p>
<b>Production</b>	<p>Manufactured in Italy under ISO 9001 Quality Management System</p> <p>All valves are pressure tested during production</p>
<b>Technical</b>	<p>Female ISO 7/1 Rp (BSP) threaded connections</p> <p>Flow capacity: Full bore</p> <p>Flow control: On/off only, not intended for throttling</p> <p>Temperature range: -20°C to 99°C</p> <p>Max. pressure water: DN8-50 2500 kPa, DN65-100 2000 kPa</p> <p>Max. pressure gas: 2100 kPa</p> <p>Refer to graph for ratings at specific temperatures</p>
<b>Options &amp; Variants</b>	<p>Size range: DN8 (1/4") to DN25 (1")</p> <p>Series 1050 WaterMarked DZR brass BSP F&amp;F stainless lever</p> <p>Series 1053 WaterMarked DZR brass BSP M&amp;F T handle</p> <p>Series 1007 WaterMarked DZR brass BSP F&amp;F lockable</p> <p>Series 1009 WaterMarked DZR brass BSP F&amp;F extended spindle</p> <p>Series 2505 WaterMarked DZR brass BSP F&amp;F underground</p> <p>Other handle colour and material options available</p>

**BIM-MED<sup>AUS</sup>**



AGA 5301 G  
AS 4617



**WaterMark**

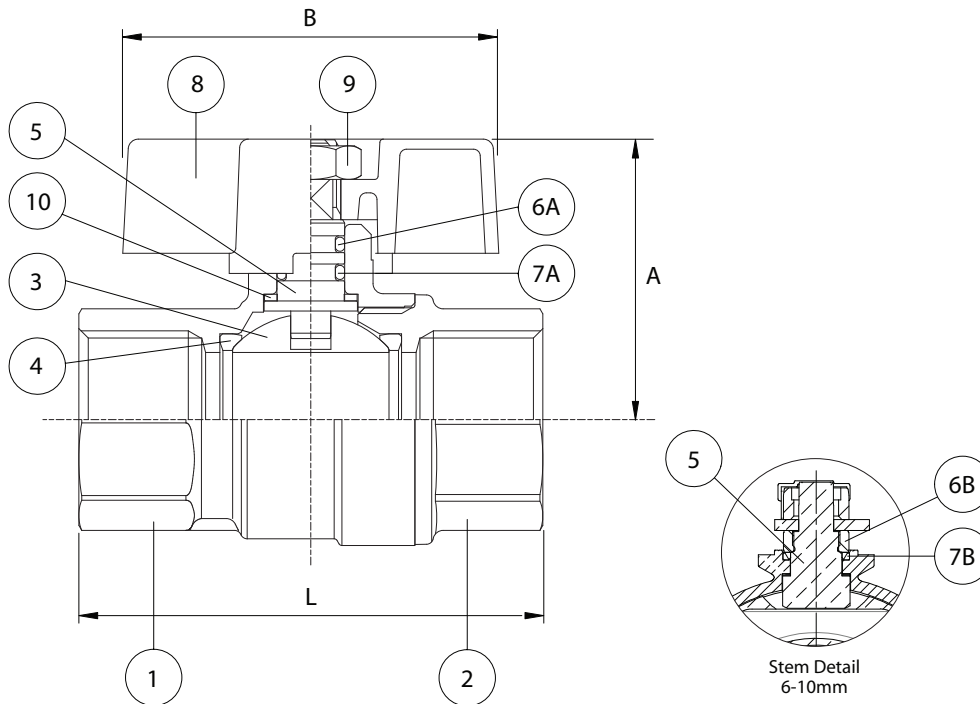
IAPMO WM-000110  
AS 5830.1

# Series 1052

Zetco WaterMarked & AGA Approved  
DZR Brass Ball Valve F&F T Handle



## DIMENSIONAL AND COMPONENT DIAGRAM



### PARTS MATERIALS

POS.	PART	MATERIAL
1	BODY	DZR BRASS
2	END ADAPTOR	DZR BRASS
3	BALL	DZR BRASS (CHROME PLATED)
4	SEAL	PTFE
5	STEM	DZR BRASS
6A	UPPER O-RING	HNBR
7A	LOWER O-RING	EPDM PEROXIDE
6B	GLAND NUT	BRASS
7B	CONICAL SEAL	PTFE
8	HANDLE	POWDER COATED ALUMINIUM
9	NUT	ZINC PLATED STEEL
10	THRUST WASHER	PTFE

### DIMENSIONS (mm)

Prod. Code	DN	Size - (mm)	A	B	L	Kv	Wgt Kg
1052006	8	1/4" - (6.3)	31	47	46	6	0.130
1052010	10	3/8" - (9.5)	31	47	50	8	0.125
1052015	15	1/2" - (12.7)	37	47	60	15	0.179
1052020	20	3/4" - (19.0)	47	56	69	28	0.298
1052025	25	1" - (25.4)	51	56	83	39	0.41

### PRESSURE/TEMPERATURE GRAPH

