



Series 1132

Zetco AGA Approved
Brass Ball Valve
M&F T Handle

FEATURES

MANUFACTURED IN ITALY

FULL BORE

AUSTRALIAN GAS ASSOCIATION APPROVAL #3877

DOUBLE O-RING STEM SEALING SYSTEM MAKING IT SUITABLE
FOR USE WITH DIESEL & PETROL

BLOW-OUT PROOF STEM

YELLOW BRASS THREADS

SUITABLE FOR USE WITH VACUUM

MUST BE OPERATED IN FULLY OPEN OR CLOSED POSITION

ALL VALVES PRESSURE TESTED DURING PRODUCTION

SIZE RANGE: 6MM TO 25MM

PRESSURE AND TEMPERATURE RATINGS

TEMPERATURE RANGE: 0°C TO 60°C

MAXIMUM OPERATING PRESSURE AT NOMINAL TEMPERATURES: 2100kPa

FOR RATINGS AT SPECIFIC TEMPERATURES REFER TO GRAPH OVERLEAF

BIM-MED^{AUS}



AGA 3877 G
AS 4617

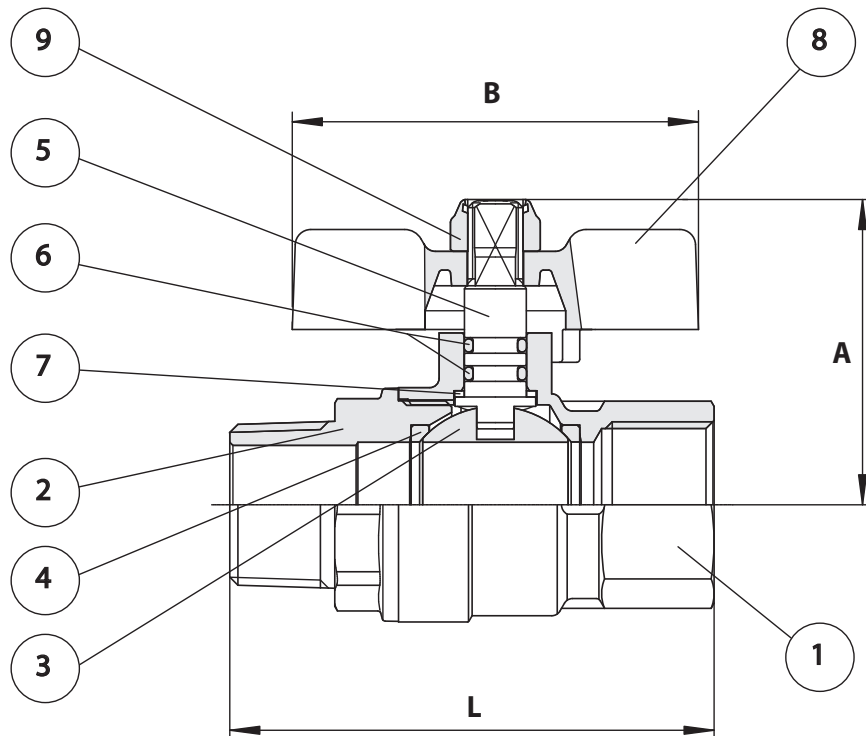
Series 1132

Zetco AGA Approved Brass Ball Valve

M&F T Handle



DIMENSIONAL AND COMPONENT DIAGRAM



MATERIALS

POS.	PART NAME	MATERIALS
1	BODY	BRASS
2	END ADAPTOR	BRASS
3	BALL	BRASS (CHROME PLATED)
4	SEAL	PTFE
5	STEM	BRASS
6	O-RING	HNBR
7	THRUST WASHER	PTFE
8	HANDLE	POWDER COATED ALUMINIUM
9	NUT	ZINC PLATED STEEL

DIMENSIONS - mm

Prod. Code	Size	A	B	L	Kv (air)	Wgt kg
1132006	6	35	52	54.5	6	0.130
1132010	10	35	52	56	9	0.144
1132015	15	39.5	52	67	17	0.204
1132020	20	49	65	77.5	41	0.343
1132025	25	53.5	65	89	70	0.540

PRESSURE/TEMPERATURE DIAGRAM

