

Series 1135

**Zetco AGA Approved
Brass Ball Valve F&F
S/Steel Lever Handle
c/w Test Plug**

DESCRIPTION

A high quality brass female threaded ball valve, AGA approved to AS 4617 for use in gas applications (Approval #3877 G) where regular testing procedures are required. The robust stainless steel lever handle provides smooth, easy operation, while the integral test plug facilitates leak-free access for the insertion of pressure and temperature testing equipment.

FEATURES

Design	<ul style="list-style-type: none"> Body in high quality forged brass Robust stainless steel 304 lever and nut for reliable operation Fitted with integral Twinlok® test plug with gas-safe components Test plug must be installed downstream of the ball Double o-ring stem sealing system making it suitable for use with diesel and petrol Blow-out proof stem to prevent leakage and ensure safety PTFE ball seals for smooth, reliable operation
Production	<ul style="list-style-type: none"> Manufactured in Italy under ISO 9001 Quality Management System All valves are pressure tested during production
Technical	<ul style="list-style-type: none"> Female ISO 7/1 Rp (BSP) threaded connections Flow capacity: Full bore Flow control: On/off only, not intended for throttling Temperature range: 0°C to 60°C Max. pressure: 2100 kPa (refer to graph)
Options & Variants	<ul style="list-style-type: none"> Size range: DN15 (1/2") to DN25 (1") Series 1134 AGA approved brass BSP F&F with test plug Series 2122 WaterMarked HVAC ball valve with test plug Series 2115 DZR brass Twinlok® test plug - gases Other handle colour and material options available



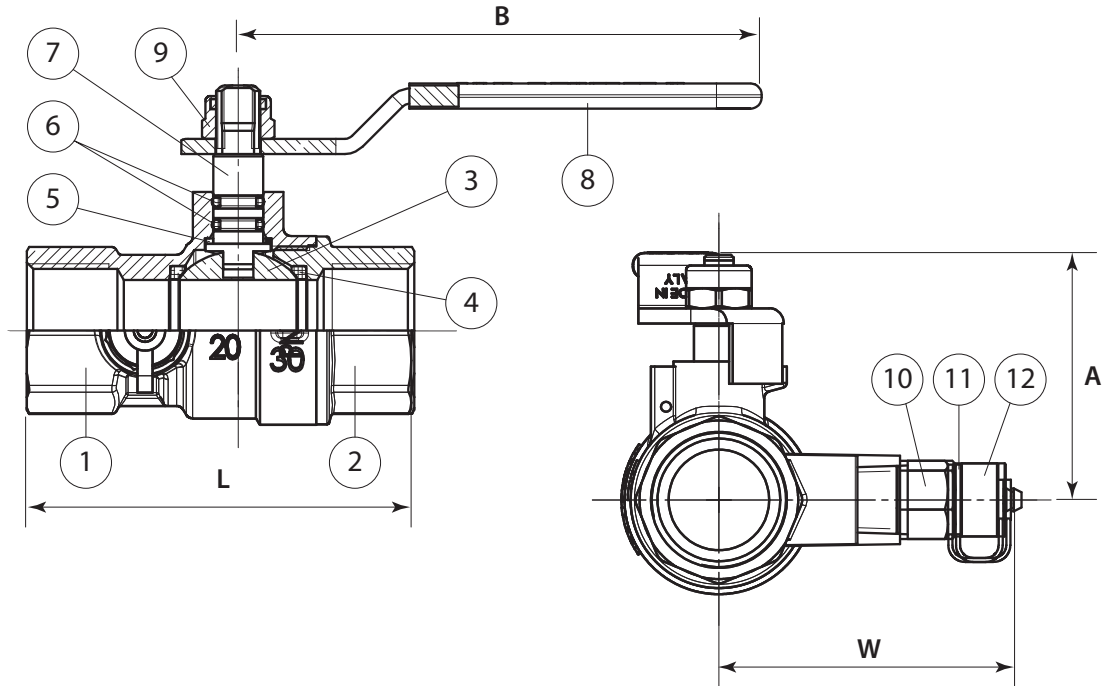
AGA 3877 G
AS 4617

Series 1135

Zetco AGA Approved Brass Ball Valve F&F
S/Steel Lever Handle c/w Test Plug



DIMENSIONAL AND COMPONENT DIAGRAM



PARTS MATERIALS

POS.	PART	MATERIAL
1	BODY	BRASS
2	END ADAPTOR	BRASS
3	BALL	BRASS (CHROME PLATED)
4	SEAL	PTFE
5	THRUST WASHER	PTFE
6	O-RINGS	HNBR
7	STEM	BRASS
8	HANDLE	STAINLESS STEEL 304
9	NUT	STAINLESS STEEL 304
10	TWINLOCK® TEST PLUG	DZR BRASS
11	STRAP	RUBBER
12	TEST PLUG CAP	DZR BRASS
*	TEST PLUG CORE	NEOPRENE

DIMENSIONS (mm)

Prod. Code	DN	Size - (mm)	A	B	L	W	Kv	Wgt Kg
1135015	15	1/2" - (12.7)	41	90	67.3	54.5	16.5	0.248
1135020	20	3/4" - (19.0)	49.5	105	77	58.5	27.5	0.381
1135025	25	1" - (25.4)	53.5	105	90	61.5	44	0.558

PRESSURE/TEMPERATURE GRAPH

