

Series 1247

Zetco WaterMarked DZR Brass 90° Ball Valve F&F Stainless Steel Ball & Lockable Lever Handle

DESCRIPTION

A female threaded 90° angle ball valve with DZR brass body WaterMark approved to AS 4796 (Licence WM-022133). The stainless steel 316 ball, lever handle and nut provide superior corrosion resistance in harsh environments while the locking mechanism allows the valve to be secured in either the open or closed position for added safety.

FEATURES

Design	Forged dezincification resistant brass body Arrow on body to indicate flow direction Stainless steel 316 grade ball for superior corrosion resistance Robust stainless steel 316 lever and nut for reliable operation Lockable lever handle for added safety and security PTFE ball seals for smooth, reliable operation Blow-out proof stem to prevent leakage
Production	Manufactured in Italy under ISO 9001 Quality Management System All valves are pressure tested during production
Technical	Female ISO 7/1 Rp (BSP) threaded connections Flow control: On/off only, not intended for throttling Temperature range: -20°C to 99°C Max. pressure: 2500 kPa (refer to graph)
Options & Variants	Size: DN20 (3/4") Series 1254 WaterMarked 90° angle BSP F&F s/steel ball lockable Series 1242 WaterMarked 90° angle BSP F&F lilac lockable Series 1243 WaterMarked 90° angle BSP female x flare lockable Series 1248 WaterMarked 90° angle BSP F&F, DZR brass handwheel



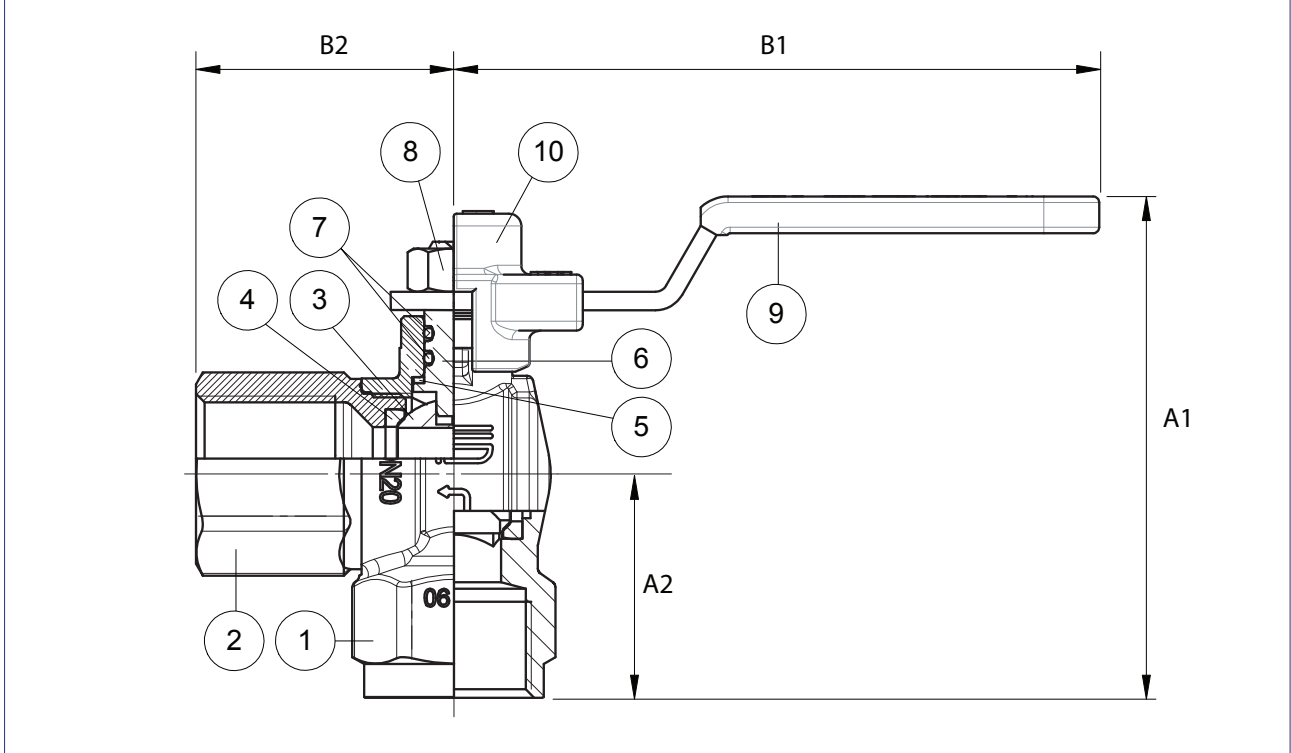
WaterMark
IAPMO WM-022133
AS 4796

Series 1247

Zetco WaterMarked DZR Brass 90° Ball Valve
F&F Stainless Steel Ball Lockable Lever Handle



DIMENSIONAL AND COMPONENT DIAGRAM



PARTS MATERIALS		
POS.	PART	MATERIAL
1	BODY	DZR BRASS
2	END ADAPTOR	DZR BRASS
3	BALL	STAINLESS STEEL 316
4	SEAL	PTFE
5	THRUST WASHER	PTFE
6	STEM	DZR BRASS
7	O-RINGS	EPDM PEROXIDE
8	NUT	STAINLESS STEEL 316
9	HANDLE	STAINLESS STEEL 316
10	LOCKING MECHANISM	STAINLESS STEEL 316

DIMENSIONS (mm)							
Prod. Code	DN	Size - (mm)	A1	A2	B1	B2	Wgt Kg
1247020	20	3/4" - (19.0)	85	38	105	44	0.400

