



# Series 1248

## Zetco WaterMarked DZR Brass 90° Ball Valve F&F DZR Brass Hand Wheel

### DESCRIPTION

A DZR brass 90° angle ball valve WaterMark approved to AS 4796 (Licence WM-022133) and appraised to Water Corporation SPS 254 (Appraisal No. PA 05-10 & PA 07-14). The DZR brass handwheel provides compact, reliable operation in installations where space is limited and can be locked in the open or closed position to ensure safety and security.

### FEATURES

<b>Design</b>	<ul style="list-style-type: none"> <li>Forged dezincification resistant brass body</li> <li>Arrow on body to indicate flow direction</li> <li>Stainless steel 316 grade ball for superior corrosion resistance</li> <li>DZR brass hand wheel for space-limited installations</li> <li>Handle can be locked in the open or closed position</li> <li>PTFE ball seals for smooth, reliable operation</li> <li>Blow-out proof stem to prevent leakage</li> </ul>
<b>Production</b>	<ul style="list-style-type: none"> <li>Manufactured in Italy under ISO 9001 Quality Management System</li> <li>All valves are pressure tested during production</li> </ul>
<b>Technical</b>	<ul style="list-style-type: none"> <li>Female ISO 7/1 Rp (BSP) threaded connections</li> <li>Flow control: On/off only, not intended for throttling</li> <li>Temperature range: -20°C to 99°C</li> <li>Max. pressure: 2500 kPa (refer to graph)</li> </ul>
<b>Options &amp; Variants</b>	<ul style="list-style-type: none"> <li>Size range: DN20 (3/4") to DN25 (1")</li> <li>Series 1254 WaterMarked 90° angle BSP F&amp;F s/steel ball lockable</li> <li>Series 1242 WaterMarked 90° angle BSP F&amp;F lilac lockable</li> <li>Series 1243 WaterMarked 90° angle BSP female x flare lockable</li> <li>Series 1249 WaterMarked 90° angle BSP female x flare lilac lockable</li> </ul>



APPRAISAL No. PA 05-10 (DN20)  
APPRAISAL No. PA 07-14 (DN25)  
SPS 254



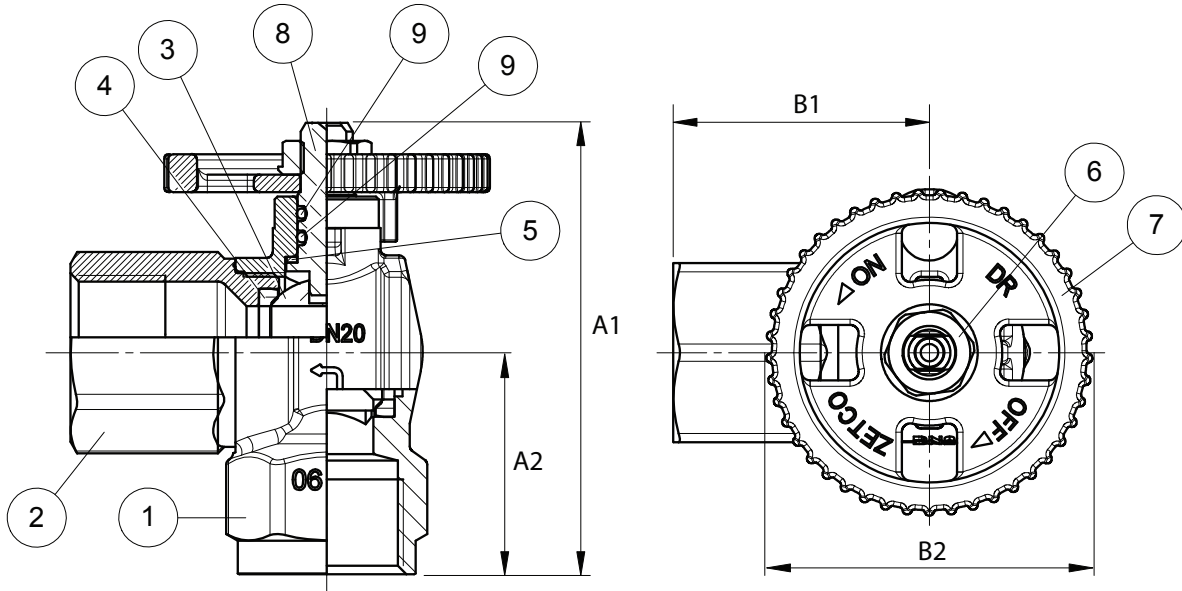
**WaterMark**  
IAPMO WM-022133  
AS 4796

# Series 1248

Zetco WaterMarked DZR Brass 90° Ball Valve  
F&F DZR Brass Hand Wheel



## DIMENSIONAL AND COMPONENT DIAGRAM



### PARTS MATERIALS

POS.	PART	MATERIAL
1	BODY	DZR BRASS
2	END ADAPTOR	DZR BRASS
3	BALL	STAINLESS STEEL 316
4	SEAL	REINFORCED PTFE
5	THRUST WASHER	REINFORCED PTFE
6	NUT	DZR BRASS
7	HAND WHEEL	DZR BRASS
8	STEM	DZR BRASS
9	O-RING	EPDM PEROXIDE

### DIMENSIONS (mm)

Prod. Code	MMR No.	DN	Size - (mm)	A1	A2	B1	B2	Wgt Kg
1248020	19835	20	3/4" - (19.0)	78	38	44	56	0.450
1248025	21300	25	1" - (25.4)	96	50	58	56	0.680

### PRESSURE/TEMPERATURE GRAPH

