



Series 1249

**Zetco WaterMarked
DZR Brass 90° Ball Valve
FI x Flared
Lilac Lockable Lever**

DESCRIPTION

A 90° angle ball valve in DZR brass WaterMark approved to AS 4796 (Licence WM-022133) with a female threaded outlet and flared connection inlet for attaching to copper pipe. The lever handle enables the valve to be safely locked in either the fully open or closed position and its lilac coating clearly identifies recycled water supplies.

FEATURES

Design	Forged dezincification resistant brass body Arrow on body to indicate flow direction Stainless steel 316 grade ball for superior corrosion resistance Lockable anti-vandal DZR brass lever handle for added security Lilac lever for visual identification of recycled water supplies PTFE ball seals for smooth, reliable operation Blow-out proof stem to prevent leakage
Production	Manufactured in Italy under ISO 9001 Quality Management System All valves are pressure tested during production
Technical	Female ISO 7/1 Rp (BSP) threaded connection JIS-30° flare connection conforming to AS 3688 Flow control: On/off only, not intended for throttling Temperature range: -20°C to 99°C Max. pressure: 2500 kPa (refer to graph)
Options & Variants	Size: DN20 (3/4") Series 1243 WaterMarked 90° angle BSP female x flare lockable Series 1254 WaterMarked 90° angle BSP F&F s/steel ball lockable Series 1247 WaterMarked 90° angle BSP F&F s/steel ball & lockable lever Series 1248 WaterMarked 90° angle BSP F&F, DZR brass handwheel



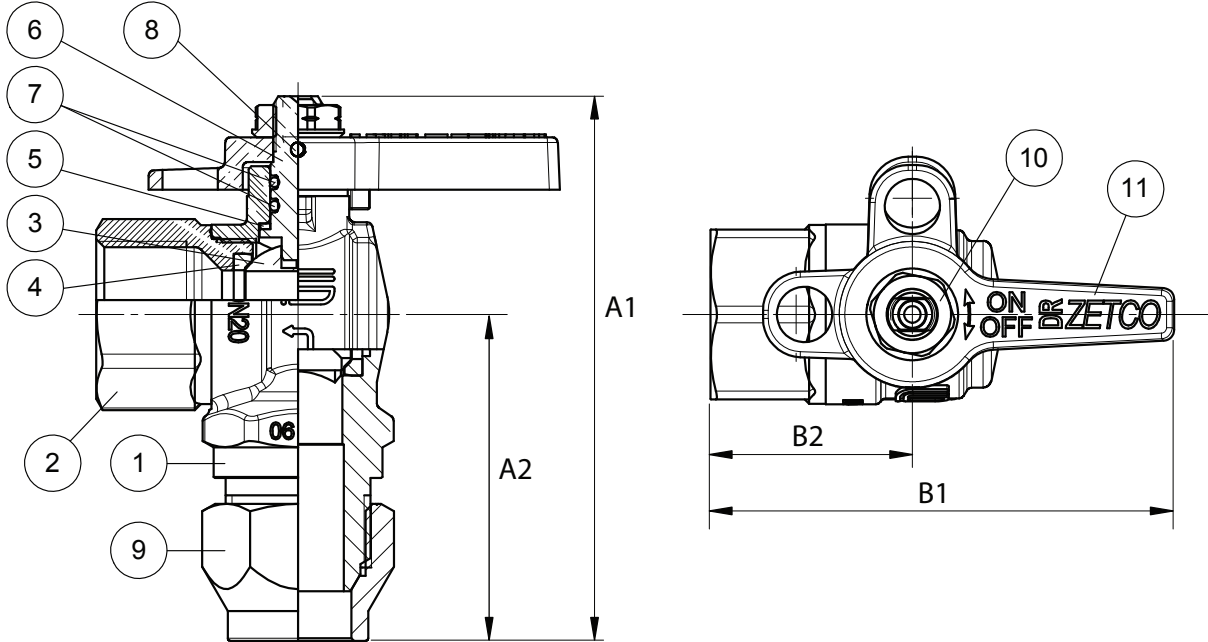
WaterMark
IAPMO WM-022133
AS 4796

Series 1249

Zetco WaterMarked DZR Brass 90° Ball Valve
FI x Flared Lilac Lockable Lever



DIMENSIONAL AND COMPONENT DIAGRAM



PARTS MATERIALS

POS.	PART	MATERIAL
1	BODY	DZR BRASS
2	END ADAPTOR	DZR BRASS
3	BALL	STAINLESS STEEL 316
4	SEAL	PTFE
5	THRUST WASHER	PTFE
6	STEM	DZR BRASS
7	O-RINGS	EPDM PEROXIDE
8	LOCKING PIN	STAINLESS STEEL 316
9	NUT	DZR BRASS
10	NUT	DZR BRASS
11	HANDLE	DZR BRASS

DIMENSIONS (mm)

Prod. Code	DN	Size - (mm)	A1	A2	B1	B2	Wgt Kg
1249020	20	3/4" - (19.0)	98.4	59	83.8	36.5	0.438

PRESSURE/TEMPERATURE GRAPH

