



## Series 1308

Zetco AGA Approved  
Gas Cock  
BSP Flare x MI

### FEATURES

MANUFACTURED IN ITALY

FULL BORE

AUSTRALIAN GAS ASSOCIATION APPROVAL #5301

BLOW-OUT PROOF STEM

MUST BE OPERATED IN FULLY OPEN OR CLOSED POSITION

ALL VALVES PRESSURE TESTED DURING PRODUCTION

SIZE RANGE: 15MM TO 20MM

### PRESSURE AND TEMPERATURE RATINGS

TEMPERATURE RANGE: -20°C TO 99°C

MAXIMUM OPERATING PRESSURE AT NOMINAL TEMPERATURES:

FLUIDS 2500 kPa

FOR RATINGS AT SPECIFIC TEMPERATURES REFER TO GRAPH OVERLEAF

GAS 2100 kPa



AGA 5301  
AS 4617

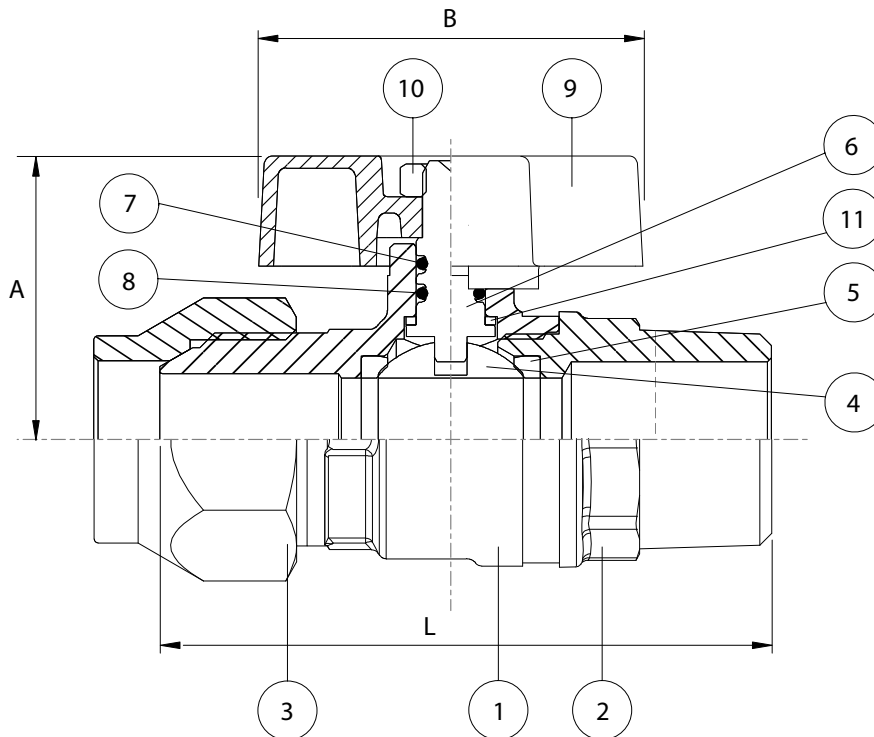
# Series 1308

Zetco AGA Approved Gas Cock

BSP Flare x MI



## DIMENSIONAL AND COMPONENT DIAGRAM



### MATERIALS

POS.	PART NAME	MATERIALS
1	BODY	BRASS
2	END ADAPTOR	BRASS
3	NUT	BRASS
4	BALL	BRASS (CHROME PLATED)
5	SEAL	PTFE
6	STEM	BRASS
7	UPPER O-RING	HNBR
8	LOWER O-RING	EPDM PEROXIDE
9	HANDLE	POWDER COATED ALUMINIUM
10	NUT	ZINC PLATED STEEL
11	THRUST WASHER	PTFE

### DIMENSIONS - mm

Prod. Code	Size	A	B	L	Kv	Wgt kg
1308015	15	X	X	X	X	X
1308020	20	41	85	78.4	20	0.349

### PRESSURE/TEMPERATURE DIAGRAM

