



## Series 1341

Zetco WaterMarked  
DZR Brass Ball Valve  
Conetite Compression

### FEATURES

MANUFACTURED IN ITALY

FULL BORE

CONETITE BRASS OLIVE COMPRESSION

WATERMARKED TO ATS 5200.012 LICENCE WMKA00110

AUSTRALIAN DESIGN NUMBER 306524

BLOW-OUT PROOF STEM

ASSORTED HANDLE COLOURS AVAILABLE

MUST BE OPERATED IN FULLY OPEN OR CLOSED POSITION

ALL VALVES PRESSURE TESTED DURING PRODUCTION

SIZE RANGE: 15MM TO 20MM

### PRESSURE AND TEMPERATURE RATINGS

TEMPERATURE RANGE: -20°C TO 90°C

MAXIMUM OPERATING PRESSURE AT NOMINAL TEMPERATURES: 2500 kPa



**WaterMark**

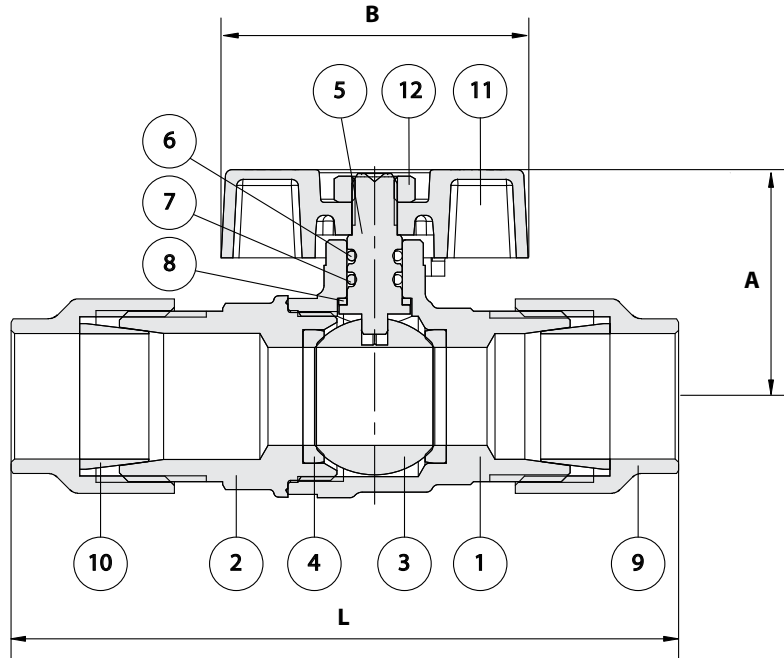
LN WMKA00110  
ATS 5200.012

# Series 1341

Zetco WaterMarked DZR Brass  
Ball Valve Conetite Compression



## DIMENSIONAL AND COMPONENT DIAGRAM



### MATERIALS

POS.	PART NAME	MATERIALS
1	BODY	DZR BRASS
2	END ADAPTOR	DZR BRASS
3	BALL	DZR BRASS (CHROME PLATED)
4	SEAL	PTFE
5	STEM	DZR BRASS
6	UPPER O-RING	HNBR
7	LOWER O-RING	EPDM PEROXIDE
8	THRUST WASHER	PTFE
9	COMPRESSION NUT	BRASS
10	CONE	DZR BRASS
11	HANDLE	POWDER COATED ALUMINIUM
12	NUT	ZINC PLATED STEEL

### DIMENSIONS - mm

Prod. Code	Size	A	B	L	Kv	Wgt kg
1341015	15	30.8	47	88	11	0.231
1341020	20	34.7	47	103	20	0.384