



## Series 1342

Conetite  
Compression  
x Nut & Tail  
WaterMarked  
DZR Brass Ball Valve

### FEATURES

MANUFACTURED IN ITALY

FULL BORE

CONETITE BRASS OLIVE COMPRESSION

WATERMARKED TO ATS 5200.012 LICENCE WMKA00110

AUSTRALIAN PATENT NUMBER 2006200845

FITTED WITH AN INTEGRAL LOOSE NUT & TAIL, MAKING IT IDEAL AS AN ISOLATION VALVE FOR APPLIANCES SUCH AS CONTINUOUS FLOW WATER HEATERS

PTFE GASKET

LOOSE NUT IS PROTECTED BY PLASTIC CAP TO PROTECT GASKET

BLOW-OUT PROOF STEM

MUST BE OPERATED IN FULLY OPEN OR CLOSED POSITION

ALL VALVES PRESSURE TESTED DURING PRODUCTION

SIZE RANGE: 15MM TO 20MM

NOTE: THE VALVE IS ALSO AVAILABLE WITH A 15MM X 20MM CONNECTION

### PRESSURE AND TEMPERATURE RATINGS

TEMPERATURE RANGE: -10°C TO 90°C

MAXIMUM OPERATING PRESSURE AT NOMINAL TEMPERATURES: 2100 kPa



**WaterMark**

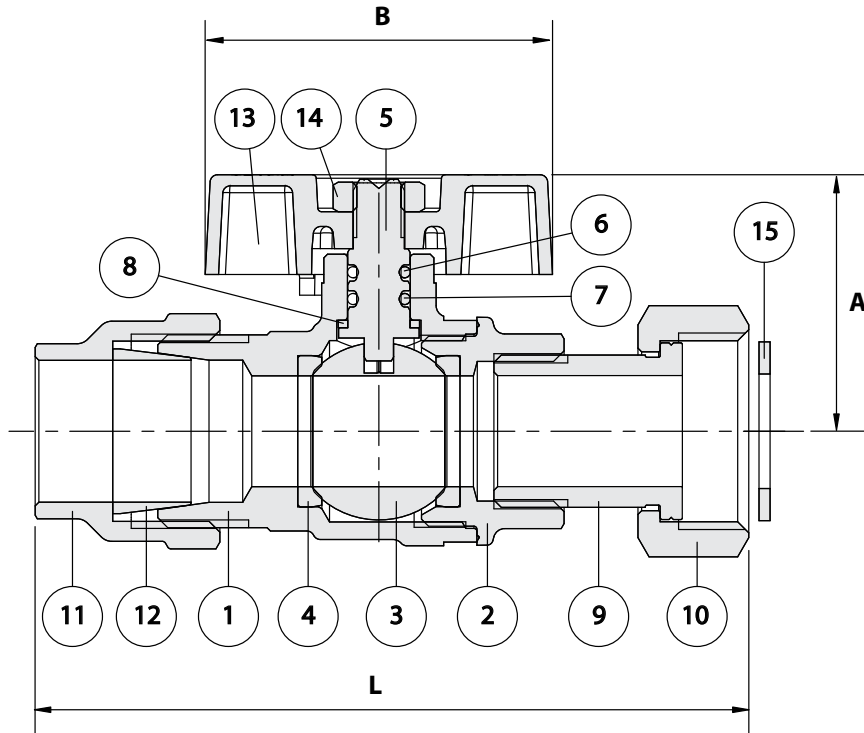
LN WMKA00110  
ATS 5200.012

# Series 1342

Conetite Compression x Nut & Tail  
WaterMarked DZR Brass Ball Valve



## DIMENSIONAL AND COMPONENT DIAGRAM



### MATERIALS

POS.	PART NAME	MATERIALS
1	BODY	DZR BRASS
2	END ADAPTOR	DZR BRASS
3	BALL	DZR BRASS (CHROME PLATED)
4	SEAL	PTFE
5	STEM	DZR BRASS
6	UPPER O-RING	HNBR
7	LOWER O-RING	EPDM PEROXIDE
8	THRUST WASHER	PTFE
9	TAIL	DZR BRASS
10	NUT	BRASS
11	NUT	BRASS
12	CONE	DZR BRASS
13	HANDLE	POWDER COATED ALUMINIUM
14	NUT	ZINC PLATED STEEL
15	GASKET	PTFE

### DIMENSIONS - mm

Prod. Code	Size	A	B	L	Wgt kg
1342015	15	30.8	47	87.6	0.205
1342020	20	34.7	47	97.7	0.308
1350015	15x20	30.8	47	95	0.247