



## Series 1553

Eko Premium  
Brass Bib Cock  
c/w Hose Barb  
Lockable

### FEATURES

MANUFACTURED IN ITALY

HEAVY PATTERN DESIGN

FULL BORE

LOCKING MECHANISM ALLOWS VALVE TO BE LOCKED IN CLOSED POSITION

FITTED WITH HOSE BARB

NOT WATERMARKED AND NOT SUITABLE FOR INSTALLATIONS THAT  
MUST BE AS/NZS 3500 COMPLIANT (DRINKING OR NON-DRINKING WATER)

MUST BE OPERATED IN FULLY OPEN OR CLOSED POSITION

ALL VALVES PRESSURE TESTED DURING PRODUCTION

SIZE RANGE: 15MM TO 20MM

NOTE: OUTLET IS ONE SIZE BIGGER THAN INLET

### PRESSURE AND TEMPERATURE RATINGS

TEMPERATURE RANGE: 0°C TO 70°C

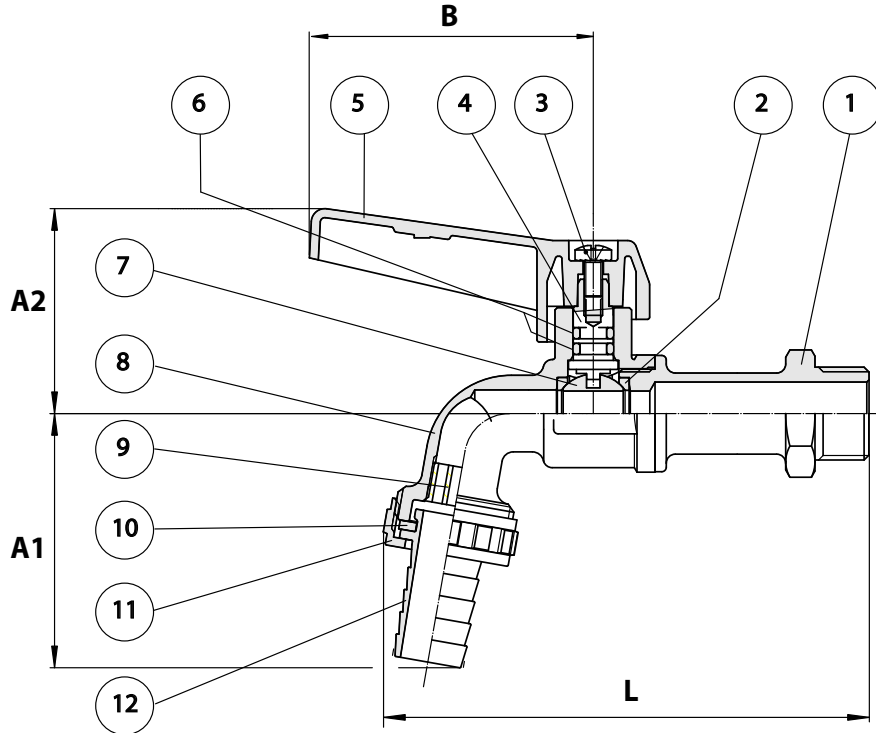
MAXIMUM OPERATING PRESSURE AT NOMINAL TEMPERATURES: 1600 kPa

# Series 1553

Eko Premium Brass Bib Cock  
c/w Hose Barb Lockable



## DIMENSIONAL AND COMPONENT DIAGRAM



### MATERIALS

POS.	PART NAME	MATERIALS
1	END ADAPTOR	BRASS
2	SEAL	PTFE
3	SCREW	ZINC PLATED STEEL
4	STEM	BRASS
5	HANDLE	POWDER COATED ALUMINIUM
6	O-RING	NBR
7	BALL	BRASS
8	BODY	BRASS
9	AERATOR	NYLON
10	NUT	BRASS
11	GASKET	NBR
12	HOSE BARB	BRASS

### DIMENSIONS - mm

Prod. Code	Size	A1	A2	B	L	Kv	Wgt kg
1553015	15	57	45.5	63	108	1.9	0.398
1553020	20	65	47.5	63	122	3.1	0.494