



Series 1558

5 Way Brass Tee

FEATURES

MANUFACTURED IN ITALY

EXTENDED BODY DESIGN

NOT WATERMARKED AND NOT SUITABLE FOR INSTALLATIONS THAT
MUST BE AS/NZS 3500 COMPLIANT (DRINKING OR NON-DRINKING WATER)

SIZE: 25MM

PRESSURE AND TEMPERATURE RATINGS

TEMPERATURE RANGE: 0°C TO 99°C

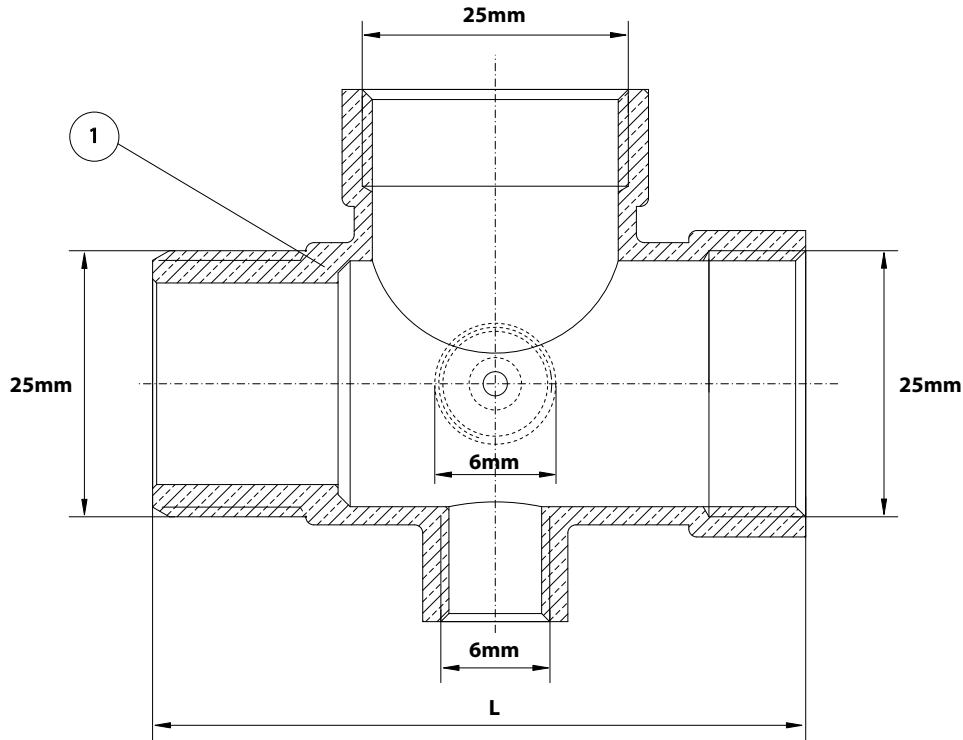
MAXIMUM OPERATING PRESSURE AT NOMINAL TEMPERATURES: 2100 kPa

Series 1558

5 Way Brass Tee



DIMENSIONAL AND COMPONENT DIAGRAM



MATERIALS

POS.	PART NAME	MATERIALS
1	BODY	BRASS

DIMENSIONS - mm

Prod. Code	Size	L	Wgt kg
1558025	25	90	0.220