



Series 1560

Lockable Brass
Bib Cock
c/w Hose Barb

FEATURES

MANUFACTURED IN ITALY

LOCKING MECHANISM ALLOWS VALVE TO BE LOCKED IN CLOSED POSITION

FULL BORE

FITTED WITH HOSE BARB

NOT WATERMARKED AND NOT SUITABLE FOR INSTALLATIONS THAT
MUST BE AS/NZS 3500 COMPLIANT (DRINKING OR NON-DRINKING WATER)

MUST BE OPERATED IN FULLY OPEN OR CLOSED POSITION

ALL VALVES PRESSURE TESTED DURING PRODUCTION

SIZE RANGE: 15MM X 20MM & 20MM X 20MM

PRESSURE AND TEMPERATURE RATINGS

TEMPERATURE RANGE: 0°C TO 70°C

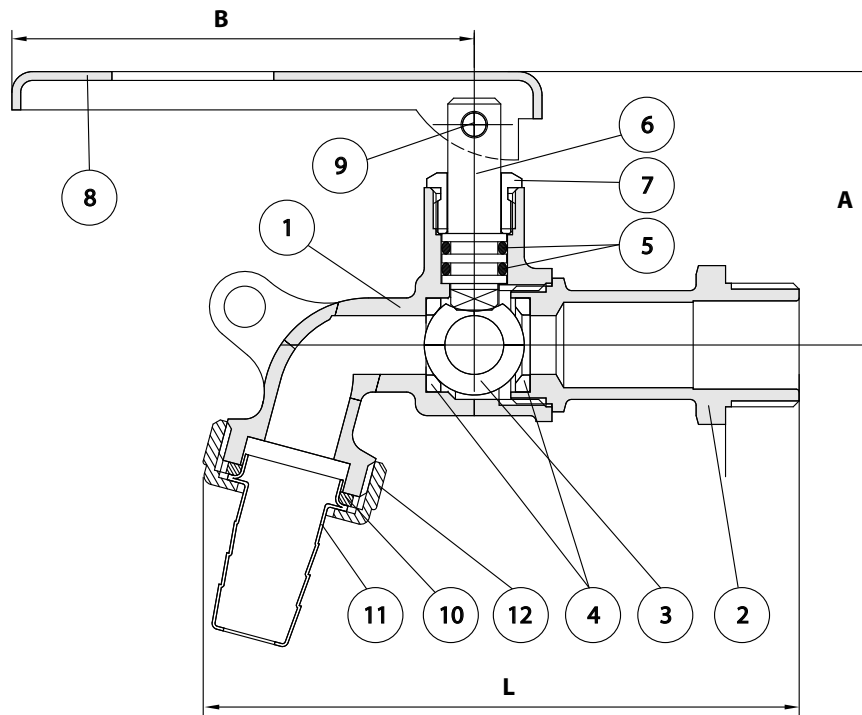
MAXIMUM OPERATING PRESSURE AT NOMINAL TEMPERATURES: 1600 kPa

Series 1560

Lockable Brass Bib Cock c/w Hose Barb



DIMENSIONAL AND COMPONENT DIAGRAM



MATERIALS

POS.	PART NAME	MATERIALS
1	BODY	BRASS
2	END ADAPTOR	BRASS
3	BALL	BRASS
4	SEAL	PTFE
5	O-RING	NBR
6	STEM	BRASS
7	GLAND NUT	BRASS
8	HANDLE	ZINC PLATED STEEL
9	HINGE	ZINC PLATED STEEL
10	GASKET	NBR
11	HOSE BARB	BRASS
12	NUT	BRASS

DIMENSIONS - mm

Prod. Code	Size	A	B	L	Wgt kg
1560015	15	48	79	111	0.240
1560020	20	48	79	111	0.270