



Series 1565

Stainless Steel
Bib Cock
c/w Hose Barb
Lockable

FEATURES

MANUFACTURED IN CHINA

LOCKING HANDLE ALLOWS VALVE TO BE LOCKED IN OPEN OR CLOSED POSITION

FITTED WITH HOSE BARB

NOT WATERMARKED AND NOT SUITABLE FOR INSTALLATIONS THAT MUST BE AS/NZS 3500 COMPLIANT (DRINKING OR NON-DRINKING WATER)

MUST BE OPERATED IN FULLY OPEN OR CLOSED POSITION

ALL VALVES PRESSURE TESTED DURING PRODUCTION

SIZE RANGE: 15MM TO 25MM

PRESSURE AND TEMPERATURE RATINGS

TEMPERATURE RANGE: 0°C TO 100°C

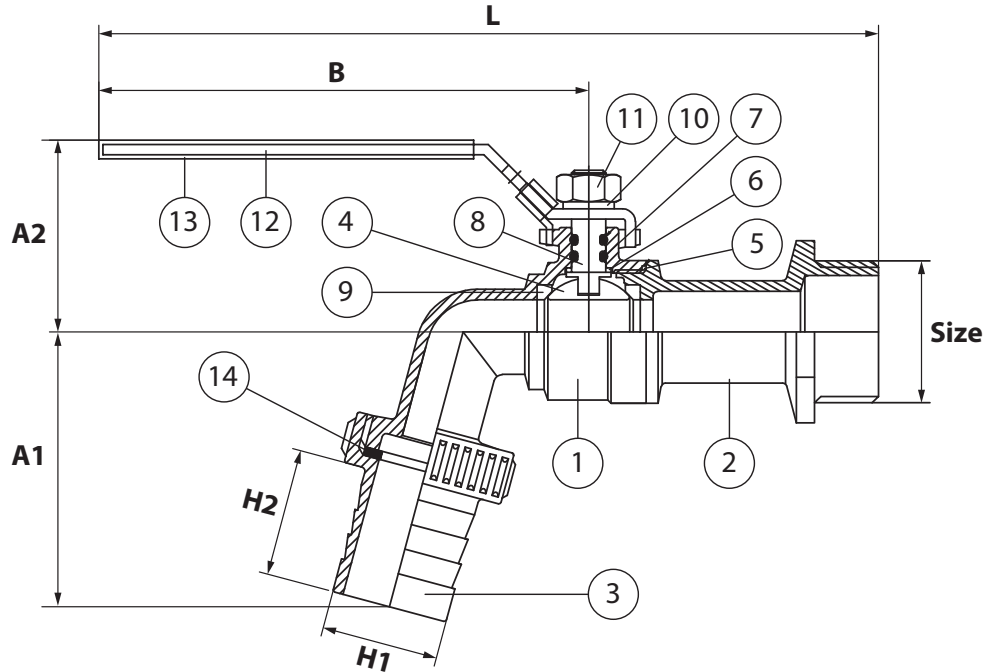
MAXIMUM OPERATING PRESSURE AT NOMINAL TEMPERATURES: 2000 kPa

Series 1565

Stainless Steel Bib Cock
c/w Hose Barb Lockable



DIMENSIONAL AND COMPONENT DIAGRAM



MATERIALS

POS.	PART NAME	MATERIALS
1	BODY	STAINLESS STEEL 316
2	CAP	STAINLESS STEEL 316
3	HOSE BARB	STAINLESS STEEL 316
4	BALL	STAINLESS STEEL 316
5	GASKET	PTFE
6	THRUST WASHER	PTFE
7	O-RING	NBR
8	STEM	STAINLESS STEEL 304
9	BALL SEAT	RPTFE
10	STEM WASHER	STAINLESS STEEL 304
11	STEM NUT	STAINLESS STEEL 304
12	HANDLE	STAINLESS STEEL 304
13	HANDLE COVER	PLASTIC
14	HOSE BARB GASKET	EPDM

DIMENSIONS - mm

Prod. Code	Size	A1	A2	H1	H2	B	L	Kv	Wgt kg
1565015	15	48	38	13	21.5	92	146	2.8	0.230
1565020	20	52	40	16	23.1	92	155	6.1	0.280
1565025	25	67	45	27.5	29.7	114	184	8.4	0.460