



Series 1703

Tour & Andersson
DZR Brass
Tested Gate Valve

FEATURES

MANUFACTURED IN SWEDEN

WATERMARKED TO AS 1628 LICENCE WM-000772

APPRAISED TO WATER CORPORATION SPS 255 APPRAISAL No. PA 10-09

FULL BORE

SUITABLE FOR USE WITH DIESEL

INTERNAL GUIDES ENSURE PROPER CLOSURE OF GATE

CAST IRON HANDWHEEL

PRECOMPRESSED PTFE GLAND PACKING

MUST BE OPERATED IN FULLY OPEN OR CLOSED POSITION

ALL VALVES PRESSURE TESTED DURING PRODUCTION

SIZE RANGE: 15MM TO 50MM

PRESSURE AND TEMPERATURE RATINGS

TEMPERATURE RANGE: -10°C TO 99°C

MAXIMUM OPERATING PRESSURE AT NOMINAL TEMPERATURES: 2500 kPa



APPRAISAL No. PA 10-09
SPS 255



IAPMO WM-000772
AS 1628

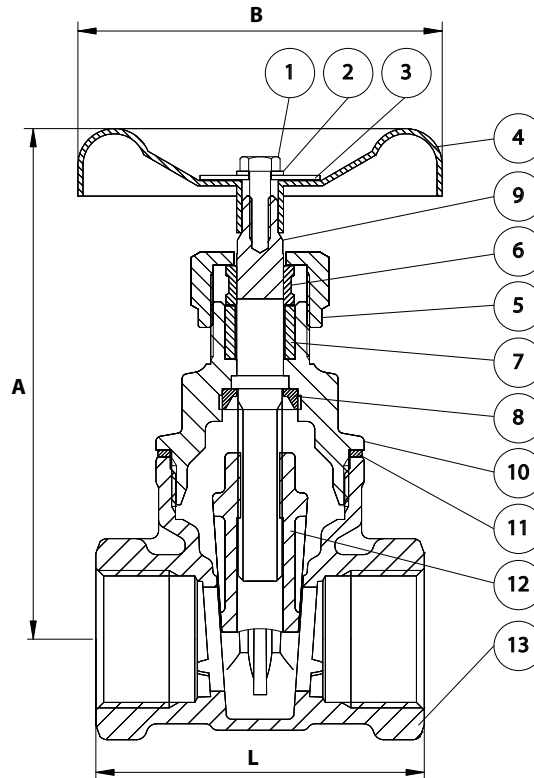
Series 1703

Tour & Andersson DZR Brass

Tested Gate Valve



DIMENSIONAL AND COMPONENT DIAGRAM



MATERIALS

POS.	PART NAME	MATERIALS
1	BOLT	STAINLESS STEEL 316
2	WASHER	STAINLESS STEEL 316
3	DISC	STAINLESS STEEL 304
4	HAND WHEEL	CAST IRON
5	GLAND NUT	DZR BRASS
6	GLAND	DZR BRASS
7	PACKING	PTFE + CARBON
8	LOCK RING	DZR BRASS
9	STEM	DZR BRASS
10	BONNET	DZR BRASS
11	GASKET	VULCANISED FIBRE
12	WEDGE	DZR BRASS
13	BODY	DZR BRASS

DIMENSIONS - mm

Prod. Code	Size	A	B	L	Kv	Wgt kg
1703015	15	77	55	58	13	0.395
1703020	20	95	58	63	40	0.590
1703025	25	104	58	73	60	0.810
1703032	32	122	75	83	100	1.11
1703040	40	138	90	86	150	1.62
1703050	50	160	95	99	270	2.58