

Series 1715

**Zetco Bronze
WaterMarked
Gate Valve F&F
DZR Brass T Bar**

DESCRIPTION

A BSP female threaded gate valve in high quality bronze, WaterMark approved to AS 1628 (Licence WM-020284), for applications involving maintenance of line shutdown and infrequent opening of the valve. The DZR brass T bar handle offers ease of operation and excellent corrosion resistance in harsh environments while the metal seat and solid wedge prevent leakage.

FEATURES

Design	<p>Body in high quality corrosion-resistant bronze</p> <p>Screwed bonnet & non-rising stem with DZR brass T bar handle</p> <p>DZR brass T bar for easy operation in challenging environments</p> <p>Internal metal seat and solid wedge for optimal leak prevention</p>
Production	<p>Manufactured in Italy under ISO 9001 Quality Management System</p> <p>All valves are pressure tested during production</p>
Technical	<p>Female ISO 7/1 Rp (BSP) threaded connections</p> <p>Flow capacity: Full bore</p> <p>Flow control: on/off only, not intended for throttling</p> <p>Temperature range: -10°C to 99°C</p> <p>Max. pressure: 2000 kPa (refer to graph)</p>
Options & Variants	<p>Size range: DN15 (1/2") to DN50 (2")</p> <p>Series 1706 WaterMarked bronze gate valve BSP threads</p> <p>Series 1716 WaterMarked bronze gate valve, DZR brass key cap</p> <p>Series 1707 WaterMarked gate valve with locking mechanism</p> <p>Series 1710 WaterMarked bronze gate valve flanged</p>



WaterMark

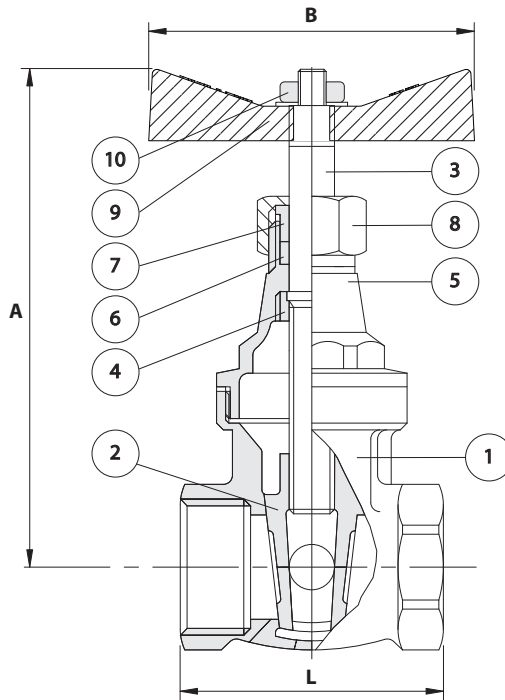
IAPMO WM-020284
AS 1628

Series 1715

Zetco Bronze WaterMarked
Gate Valve F&F DZR Brass T Bar



DIMENSIONAL AND COMPONENT DIAGRAM



PARTS MATERIALS

POS.	PART	MATERIAL
1	BODY	BRONZE
2	WEDGE	DZR BRASS
3	STEM	DZR BRASS
4	STEM RING	DZR BRASS
5	BONNET	DZR BRASS
6	PACKING	PTFE
7	GLAND	DZR BRASS
8	GLAND NUT	BRONZE
9	T BAR HANDLE	DZR BRASS
10	HANDLE NUT & DISC	STAINLESS STEEL 304

DIMENSIONS (mm)

Prod. Code	DN	Size - (mm)	A	B	L	Kv	Wgt Kg
1715015	15	1/2" - (12.7)	73	65	50	13	0.300
1715020	20	3/4" - (19.0)	90	65	51	30	0.380
1715025	25	1" - (25.4)	100	65	57	50	0.530
1715032	32	1 1/4" - (31.7)	122	83	69	80	0.910
1715040	40	1 1/2" - (38.1)	140	83	72	110	1.22
1715050	50	2" - (50.8)	168	105	82	208	2.00

PRESSURE/TEMPERATURE GRAPH

