



Series 1907

Eurostop® WaterMarked DZR Brass Spring Check Valve

DESCRIPTION

A DZR brass spring check valve with BSP female threads WaterMark approved to AS 1628 (Licence WM-020106). The high quality internal components provide long lasting performance and superior sealing within a wide range of pressures and temperatures, operating quietly and reliably to reduce water hammer and prevent unwanted flow reversal.

FEATURES

Design	<ul style="list-style-type: none"> Forged dezincification resistant brass body Robust heavy pattern design for superior performance Quality materials provide wear resistance and long service life Streamlined flow design minimises head loss Excellent seal at a wide range of temperatures and pressures Quiet operation and reduction in water hammer
Production	<ul style="list-style-type: none"> Manufactured in Italy under ISO 9001 Quality Management System All valves are pressure tested during production
Technical	<ul style="list-style-type: none"> Female ISO 7/1 Rp (BSP) threaded connections Temperature range: -20°C to 130°C NOTE: Not suitable for solar applications Max. pressure: DN15-50 2500 kPa, DN65-100 1600 kPa (refer to graph) Cracking pressure: 2.5 kPa Installation orientation: horizontal or vertical
Options & Variants	<ul style="list-style-type: none"> Size range: DN15 (1/2") to DN100 (4") Series 1917 Eurostop WM DZR brass spring check, metal jumper Series 1947 Eurostop WM s/steel spring check, standard jumper Series 1957 Eurostop WM s/steel spring check, metal jumper Chrome plate finish available on DN15 & DN20

BIM-MED^{AUS}



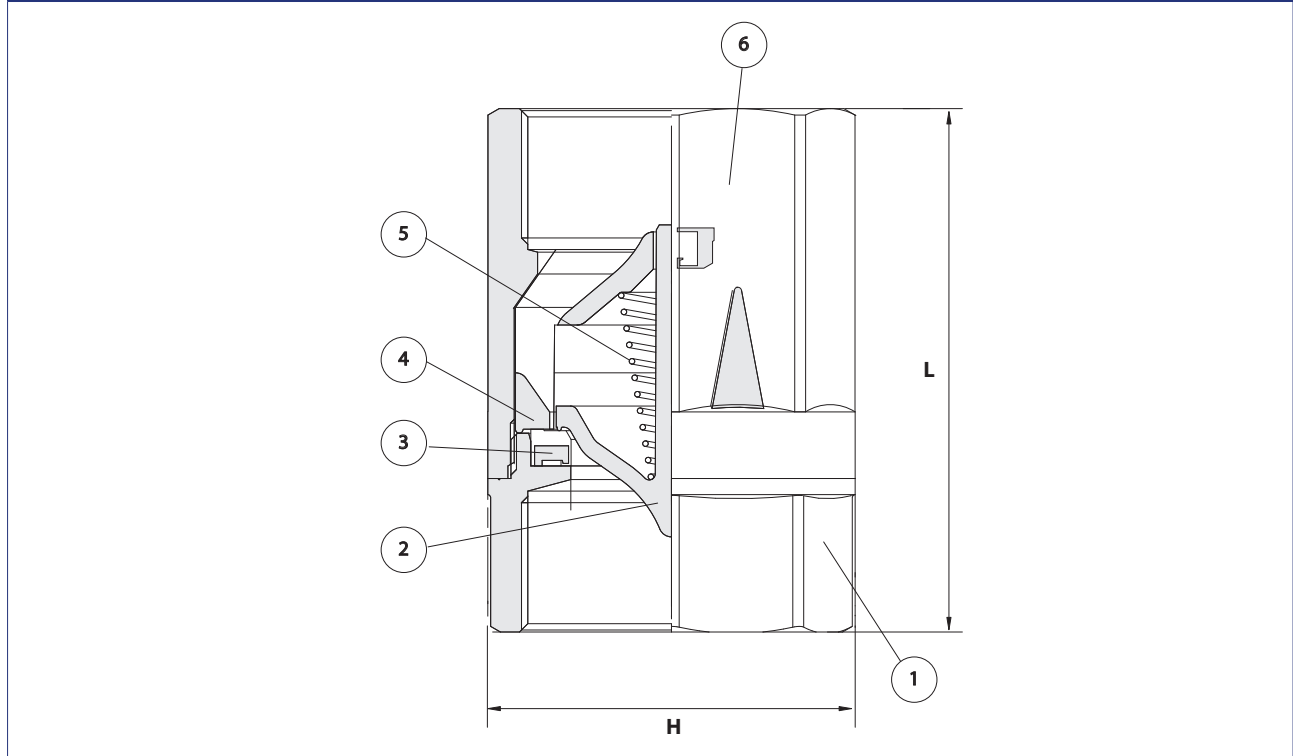
WaterMark
IAPMO WM-020106
AS 1628

Series 1907

Eurostop® WaterMarked DZR Brass
Spring Check Valve



DIMENSIONAL AND COMPONENT DIAGRAM



PARTS MATERIALS		
POS.	PART	MATERIAL
1	ADAPTOR	DZR BRASS
2	JUMPER	MOULDED PLASTIC
3	GASKET	VITON®
4	JUMPER GUIDE	MOULDED PLASTIC
5	SPRING	STAINLESS STEEL 316
6	BODY	DZR BRASS

DIMENSIONS (mm)						
Prod. Code	DN	Size - (mm)	L	H	Kv	Wgt Kg
1907015	15	1/2" - (12.7)	56	34.5	8.4	0.135
1907020	20	3/4" - (19.0)	60	34.5	8.4	0.161
1907025	25	1" - (25.4)	68	41.5	13.5	0.263
1907032	32	1 1/4" - (31.7)	78	51	19.3	0.434
1907040	40	1 1/2" - (38.1)	84.5	60	33	0.666
1907050	50	2" - (50.8)	104	73	48.5	1.09
1907065	65	2 1/2" - (63.5)	121.5	92	71	1.91
1907080	80	3" - (76.2)	144	116.5	103	3.07
1907100	100	4" - (101.6)	172	142	165	5.22

PRESSURE/TEMPERATURE GRAPH

