



## Series 2002

Airy Brass  
Self Venting  
Ball Valve F&F  
T Handle

### FEATURES

MANUFACTURED IN ITALY

FULL BORE

SELF-VENTING FACILITY OPERATES WHEN VALVE IS IN THE CLOSED POSITION

BLOW-OUT PROOF STEM

CONICAL PTFE STEM SEALING SYSTEM

MUST BE OPERATED IN FULLY OPEN OR CLOSED POSITION

ALL VALVES PRESSURE TESTED DURING PRODUCTION

SIZE RANGE: 6MM TO 25MM

### PRESSURE AND TEMPERATURE RATINGS

TEMPERATURE RANGE: -20°C TO 100°C

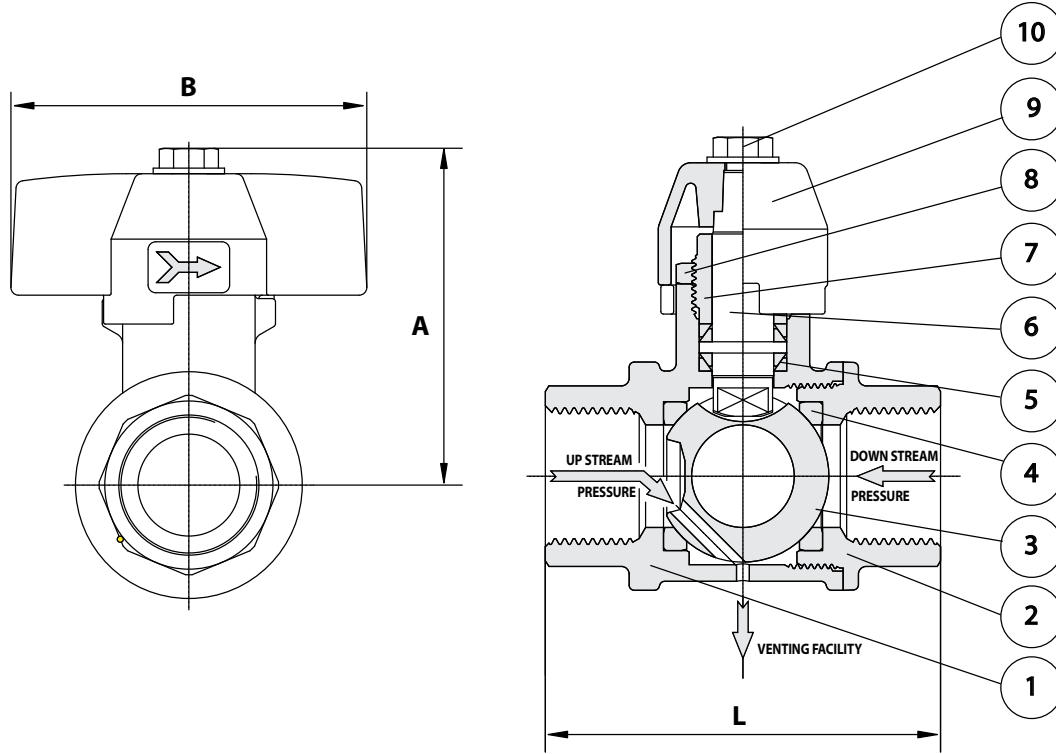
MAXIMUM OPERATING PRESSURE AT NOMINAL TEMPERATURES: 4000 kPa

# Series 2002

## Airy Brass Self Venting Ball Valve F&F T Handle



### DIMENSIONAL AND COMPONENT DIAGRAM



### MATERIALS

POS.	PART NAME	MATERIALS
1	BODY	BRASS
2	END ADAPTOR	BRASS
3	BALL	BRASS
4	SEAL	PTFE
5	STEM PACKING RING	PTFE
6	STEM	BRASS
7	GLAND	BRASS
8	GLAND NUT	BRASS
9	HANDLE	POWDER COATED ALUMINIUM
10	SCREW	ZINC PLATED STEEL

### DIMENSIONS - mm

Prod. Code	Size	A	B	L	Kv	Wgt kg
2002006	6	61	75	51	11	0.150
2002010	10	61	100	55	11	0.245
2002015	15	64	100	69	20	0.375
2002020	20	76	120	77	60	0.625
2002025	25	80	120	89	100	0.880