



Series 2122

**Zetco HVAC
WaterMarked
Ball Valve F&F
c/w Test Plug**

DESCRIPTION

A female threaded DZR brass ball valve WaterMark approved to AS 5830.1 (Licence WM-000110), suitable for use with potable water supplies. The valve body is fitted with an integral Twinlok® test plug with self-healing EPDM cone to enable convenient leak-resistant insertion of equipment for testing flow, temperature or pressure in HVAC systems.

FEATURES

Design	<p>Forged dezincification resistant brass body</p> <p>Fitted with integral Twinlok® test plug for HVAC testing procedures</p> <p>PTFE ball seals for smooth, reliable operation</p> <p>Blow-out proof double o-ring stem sealing to prevent leakage</p>
Production	<p>Manufactured in Italy under ISO 9001 Quality Management System</p> <p>All valves are pressure tested during production</p>
Technical	<p>Female ISO 7/1 Rp (BSP) threaded connections</p> <p>Flow capacity: Full bore</p> <p>Flow control: On/off only, not intended for throttling</p> <p>Temperature range: 0°C to 99°C</p> <p>Max. pressure: 2500 kPa (refer to graph)</p>
Options & Variants	<p>Size range: DN10 (3/8") to DN50 (2")</p> <p>Series 2110 DZR brass Twinlok® test plug - fluids</p> <p>Series 2123 WM HVAC ball valve with test plug & drain cock</p> <p>Series 2124 WM HVAC ball valve, extended spindle & test plug</p> <p>Series 2126 WM HVAC ball valve with drain cock</p> <p>Series 2127 WM HVAC ball valve with test plug & mini ball valve</p> <p>Other configurations available on request</p>

BIM-MEP^{AUS}



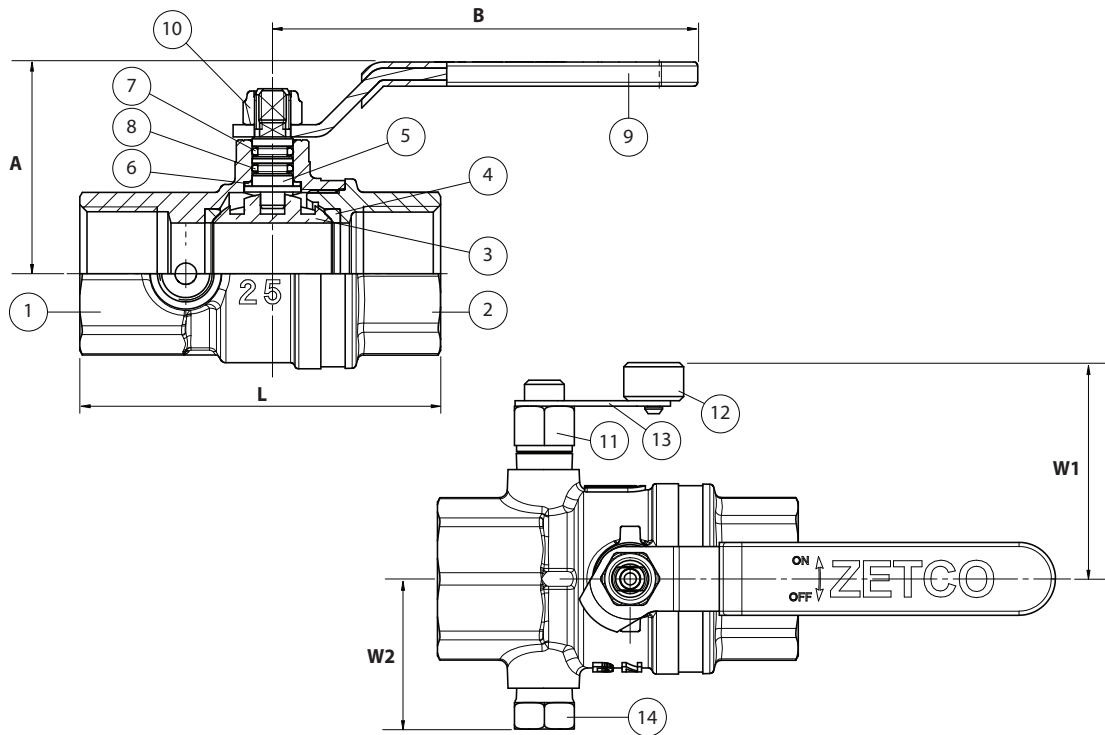
WaterMark
IAPMO WM-000110
AS 5830.1

Series 2122

Zetco HVAC WaterMarked Ball Valve F&F
c/w Test Plug



DESCRIPTION



PARTS MATERIALS

POS.	PART	MATERIAL
1	BODY	DZR BRASS
2	END ADAPTOR	DZR BRASS
3	BALL	DZR BRASS (CHROME PLATED)
4	SEAL	PTFE
5	STEM	DZR BRASS
6	THRUST WASHER	PTFE
7	UPPER O-RING	EPDM
8	LOWER O-RING	HNBR
9	HANDLE	ZINC PLATED STEEL
10	NUT	ZINC PLATED STEEL
11	TWINLOK® TEST PLUG	DZR BRASS
12	TEST PLUG CAP	DZR BRASS
13	STRAP	RUBBER
14	PLUG	DZR BRASS

DIMENSIONS (mm)

Prod. Code	DN	Size - (mm)	A	B	L	W1	W2	Kv	Wgt Kg
2122010	10	3/8" - (9.5)	41	85	70	50	34	16	0.290
2122015	15	1/2" - (12.7)	41	85	70	50	34	20	0.295
2122020	20	3/4" - (19.0)	48	105	72	53	37	60	0.418
2122025	25	1" - (25.4)	52	105	86	56	40	100	0.599
2122032	32	1 1/4" - (31.7)	63	130	102	61	45	130	0.875
2122040	40	1 1/2" - (38.1)	68	130	113	65	49	170	1.26
2122050	50	2" - (50.8)	83	165	136	71	55	280	2.06

PRESSURE/TEMPERATURE GRAPH

