



## Series 2124

Zetco HVAC  
WaterMarked  
Ball Valve F&F  
c/w Extended Spindle  
& Test Plug

### FEATURES

MANUFACTURED IN ITALY

FULL BORE

WATERMARKED TO AS 5830.1 LICENCE WM-000110

EXTENDED SPINDLE AND TEST PLUG FOR USE WITH INSULATED PIPEWORK

INTEGRAL TWINLOK® TEST PLUG FOR HVAC INSTALLATIONS

FOR TEST PLUG SPECIFICATIONS REFER TO SERIES 2110

MUST BE OPERATED IN FULLY OPEN OR CLOSED POSITION

ALL VALVES PRESSURE TESTED DURING PRODUCTION

SIZE RANGE: 10MM TO 50MM

### PRESSURE AND TEMPERATURE RATINGS

TEMPERATURE RANGE: 0°C TO 99°C

MAXIMUM OPERATING PRESSURE AT NOMINAL TEMPERATURES: 2000 kPa

BIM-MED<sup>AUS</sup>



**WaterMark**

IAPMO WM-000110  
AS 5830.1

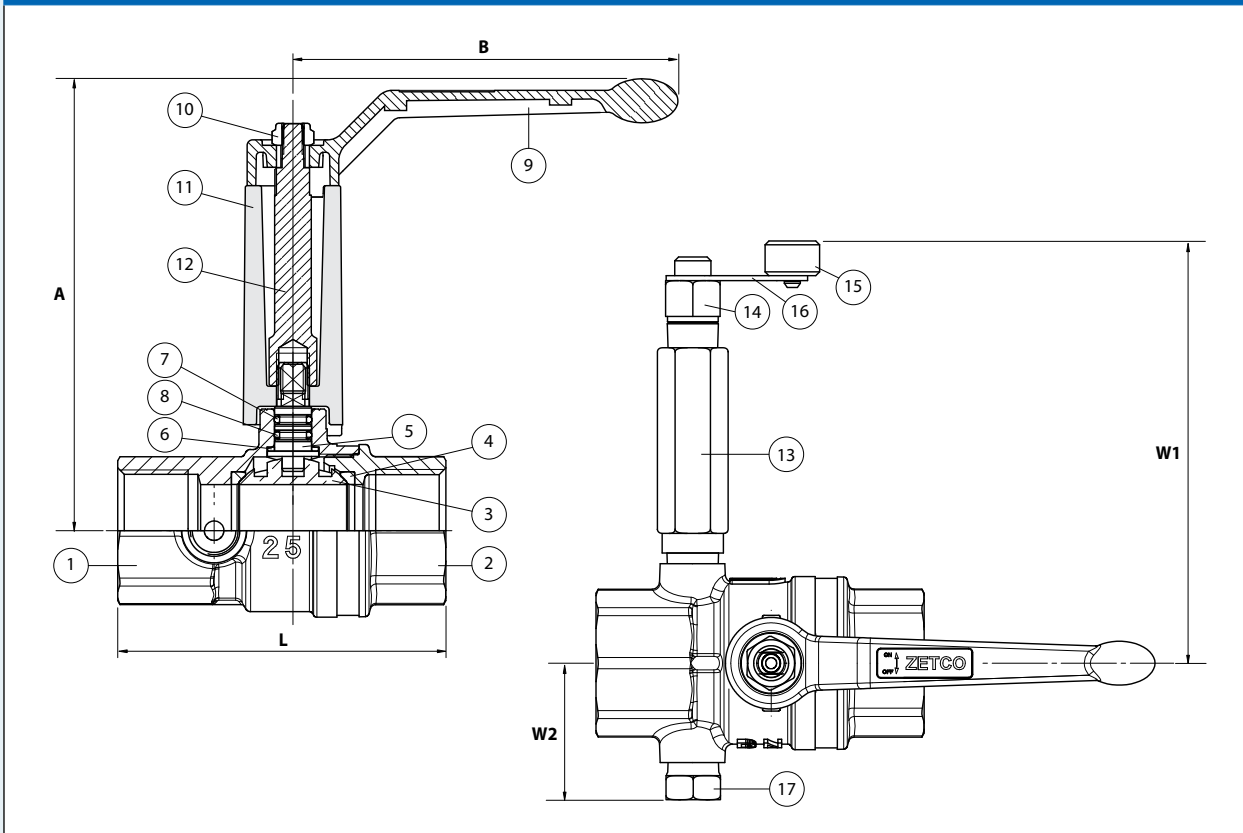
V.00

# Series 2124

Zetco HVAC WaterMarked Ball Valve F&F  
c/w Extended Spindle & Test Plug



## DIMENSIONAL AND COMPONENT DIAGRAM



### MATERIALS

| POS. | PART NAME          | MATERIALS                 |
|------|--------------------|---------------------------|
| 1    | BODY               | DZR BRASS                 |
| 2    | END ADAPTOR        | DZR BRASS                 |
| 3    | BALL               | DZR BRASS (CHROME PLATED) |
| 4    | SEAL               | PTFE                      |
| 5    | STEM               | DZR BRASS                 |
| 6    | THRUST WASHER      | PTFE                      |
| 7    | UPPER O-RING       | EPDM                      |
| 8    | LOWER O-RING       | HNBR                      |
| 9    | HANDLE             | POWDER COATED ALUMINIUM   |
| 10   | NUT                | ZINC PLATED STEEL         |
| 11   | EXTENSION          | ALUMINIUM                 |
| 12   | ADAPTOR            | BRASS                     |
| 13   | EXTENSION          | DZR BRASS                 |
| 14   | TWINLOK® TEST PLUG | DZR BRASS                 |
| 15   | TEST PLUG CAP      | DZR BRASS                 |
| 16   | STRAP              | RUBBER                    |
| 17   | PLUG               | DZR BRASS                 |

### DIMENSIONS - mm

| Prod. Code | Size | A   | B   | L   | W1  | W2 | Kv  | Wgt kg |
|------------|------|-----|-----|-----|-----|----|-----|--------|
| 2124010    | 10   | 108 | 85  | 70  | 106 | 34 | 16  | 0.445  |
| 2124015    | 15   | 108 | 85  | 70  | 106 | 34 | 20  | 0.450  |
| 2124020    | 20   | 122 | 105 | 72  | 109 | 37 | 60  | 0.614  |
| 2124025    | 25   | 126 | 105 | 86  | 112 | 40 | 100 | 0.824  |
| 2124032    | 32   | 135 | 130 | 102 | 117 | 45 | 130 | 1.65   |
| 2124040    | 40   | 141 | 130 | 113 | 121 | 49 | 170 | 1.73   |
| 2124050    | 50   | 157 | 165 | 136 | 127 | 55 | 280 | 2.90   |