



Series 2125

Zetco HVAC
WaterMarked
Ball Valve F&F
c/w Extended Spindle,
Test Plug & Drain Cock

FEATURES

MANUFACTURED IN ITALY

FULL BORE

WATERMARKED TO AS 5830.1 LICENCE WM-000110

EXTENDED SPINDLE, TEST PLUG & DRAIN COCK FOR USE WITH INSULATED PIPEWORK

INTEGRAL TWINLOK® TEST PLUG AND DRAIN COCK FOR HVAC INSTALLATIONS

FOR TEST PLUG SPECIFICATIONS REFER TO SERIES 2110

FOR DRAIN COCK SPECIFICATIONS REFER TO SERIES 2108

MUST BE OPERATED IN FULLY OPEN OR CLOSED POSITION

ALL VALVES PRESSURE TESTED DURING PRODUCTION

SIZE RANGE: 10MM TO 50MM

PRESSURE AND TEMPERATURE RATINGS

TEMPERATURE RANGE: 0°C TO 99°C

MAXIMUM OPERATING PRESSURE AT NOMINAL TEMPERATURES: 2000 kPa

BIM-MED^{AUS}



WaterMark

IAPMO WM-000110
AS 5830.1

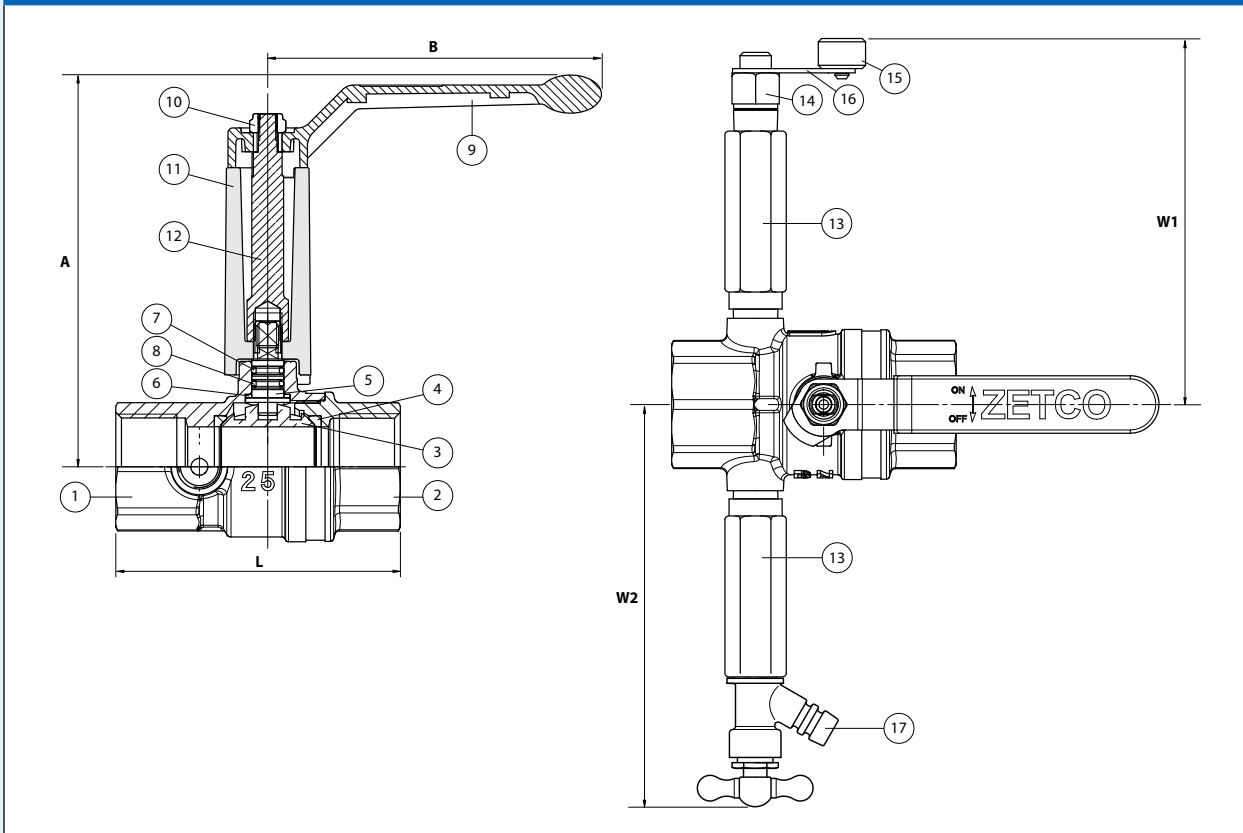
V.00

Series 2125

Zetco HVAC WaterMarked Ball Valve F&F
c/w Extended Spindle, Test Plug & Drain Cock



DIMENSIONAL AND COMPONENT DIAGRAM



MATERIALS

POS.	PART NAME	MATERIALS
1	BODY	DZR BRASS
2	END ADAPTOR	DZR BRASS
3	BALL	DZR BRASS (CHROME PLATED)
4	SEAL	PTFE
5	STEM	DZR BRASS
6	THRUST WASHER	PTFE
7	UPPER O-RING	EPDM
8	LOWER O-RING	HNBR
9	HANDLE	POWDER COATED ALUMINIUM
10	NUT	ZINC PLATED STEEL
11	EXTENSION	ALUMINIUM
12	ADAPTOR	BRASS
13	EXTENSION	DZR BRASS
14	TWINLOK® TEST PLUG	DZR BRASS
15	TEST PLUG CAP	DZR BRASS
16	STRAP	RUBBER
17	DRAIN COCK	DZR BRASS

DIMENSIONS - mm

Prod. Code	Size	A	B	L	W1	W2	Kv	Wgt kg
2125010	10	108	85	70	106	116	16	0.549
2125015	15	108	85	70	106	116	20	0.554
2125020	20	122	105	72	109	119	60	0.718
2125025	25	126	105	86	112	122	100	0.928
2125032	32	135	130	102	117	127	130	1.75
2125040	40	141	130	113	121	131	170	1.83
2125050	50	157	165	136	127	137	280	3.01