



Series 2126

Zetco HVAC
WaterMarked
Ball Valve F&F
c/w Drain Cock

FEATURES

MANUFACTURED IN ITALY

FULL BORE

WATERMARKED TO AS 5830.1 LICENCE WM-000110

FOR DRAIN COCK SPECIFICATIONS REFER TO SERIES 2108

MUST BE OPERATED IN FULLY OPEN OR CLOSED POSITION

ALL VALVES PRESSURE TESTED DURING PRODUCTION

SIZE RANGE: 10MM TO 50MM

PRESSURE AND TEMPERATURE RATINGS

TEMPERATURE RANGE: 0°C TO 99°C

MAXIMUM OPERATING PRESSURE AT NOMINAL TEMPERATURES: 2000 kPa

BIM-MEP^{AUS}



WaterMark

IAPMO WM-000110
AS 5830.1

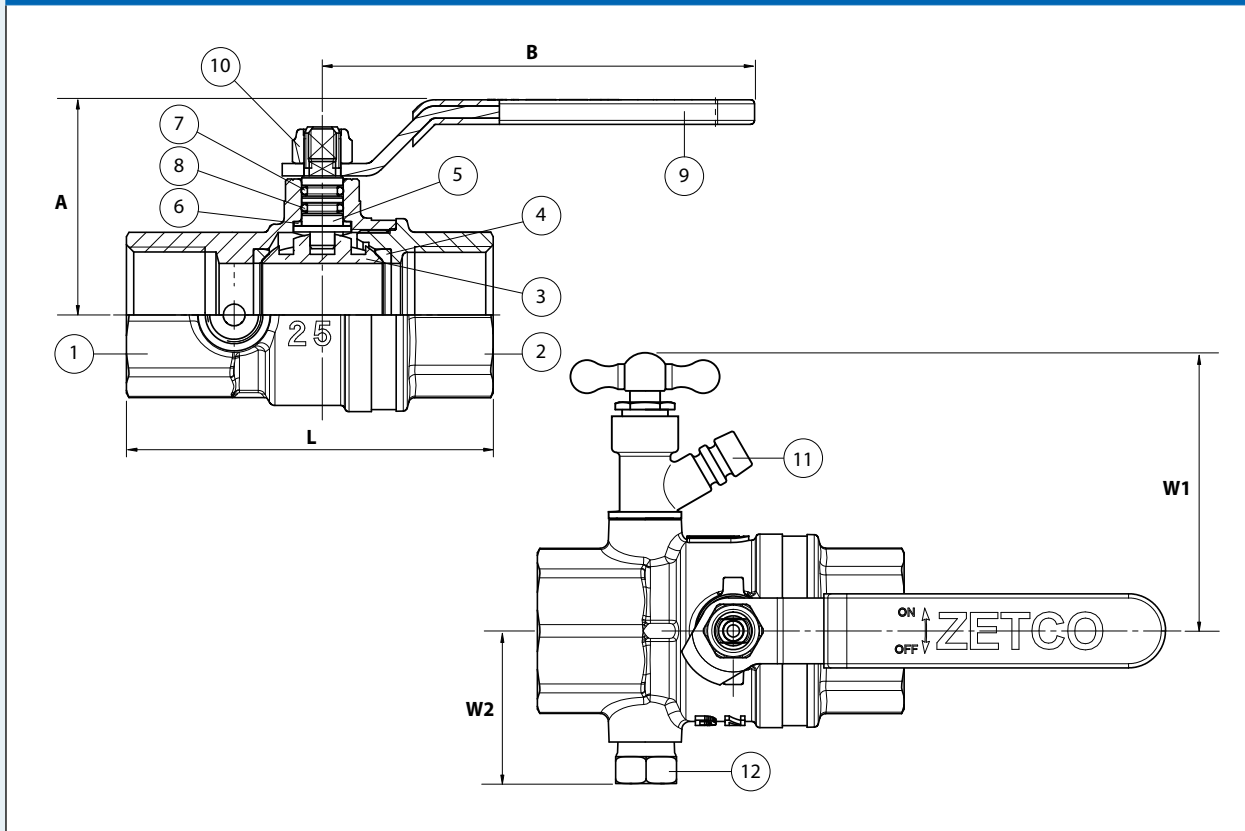
V.00

Series 2126

Zetco HVAC WaterMarked Ball Valve F&F
c/w Drain Cock



DIMENSIONAL AND COMPONENT DIAGRAM



MATERIALS

POS.	PART NAME	MATERIALS
1	BODY	DZR BRASS
2	END ADAPTOR	DZR BRASS
3	BALL	DZR BRASS (CHROME PLATED)
4	SEAL	PTFE
5	STEM	DZR BRASS
6	THRUST WASHER	PTFE
7	UPPER O-RING	EPDM
8	LOWER O-RING	HNBR
9	HANDLE	ZINC PLATED STEEL
10	NUT	ZINC PLATED STEEL
11	DRAIN COCK	DZR BRASS
12	PLUG	DZR BRASS

DIMENSIONS - mm

Prod. Code	Size	A	B	L	W1	W2	Kv	Wgt kg
2126010	10	41	85	70	60	34	16	0.307
2126015	15	41	85	70	60	34	20	0.312
2126020	20	48	105	72	63	37	60	0.435
2126025	25	52	105	86	66	40	100	0.616
2126032	32	63	130	102	72	45	130	0.892
2126040	40	68	130	113	75	49	170	1.28
2126050	50	83	165	136	81	55	280	2.08