



Series 2127

Zetco HVAC
WaterMarked
Ball Valve F&F
c/w Test Plug
& Mini Ball Valve

FEATURES

MANUFACTURED IN ITALY

FULL BORE

WATERMARKED TO AS 5830.1 LICENCE WM-000110

INTEGRAL TWINLOK® TEST PLUG AND MINI BALL VALVE FOR HVAC INSTALLATIONS

FOR TEST PLUG SPECIFICATIONS REFER TO SERIES 2110

FOR MINI BALL VALVE SPECIFICATIONS REFER TO SERIES 1412

MUST BE OPERATED IN FULLY OPEN OR CLOSED POSITION

ALL VALVES PRESSURE TESTED DURING PRODUCTION

SIZE RANGE: 10MM TO 50MM

PRESSURE AND TEMPERATURE RATINGS

TEMPERATURE RANGE: 0°C TO 99°C

MAXIMUM OPERATING PRESSURE AT NOMINAL TEMPERATURES: 2000 kPa

BIM-MED^{AUS}



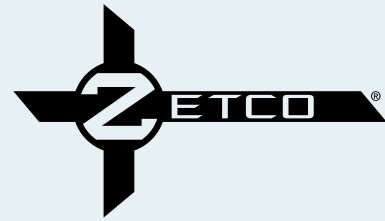
WaterMark

IAPMO WM-000110
AS 5830.1

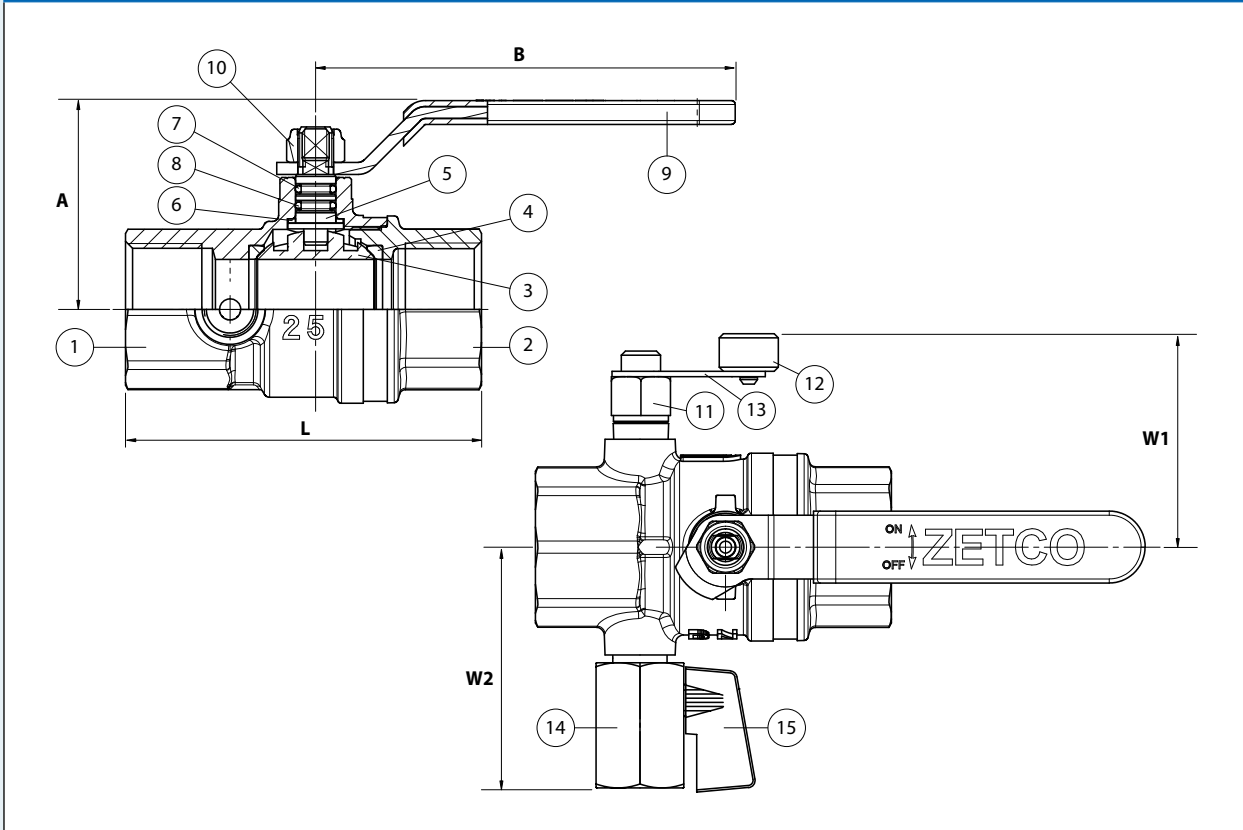
V.00

Series 2127

Zetco HVAC WaterMarked Ball Valve F&F
c/w Test Plug & Mini Ball Valve



DIMENSIONAL AND COMPONENT DIAGRAM



MATERIALS

POS.	PART NAME	MATERIALS
1	BODY	DZR BRASS
2	END ADAPTOR	DZR BRASS
3	BALL	DZR BRASS (CHROME PLATED)
4	SEAL	PTFE
5	STEM	DZR BRASS
6	THRUST WASHER	PTFE
7	UPPER O-RING	EPDM
8	LOWER O-RING	HNBR
9	HANDLE	ZINC PLATED STEEL
10	NUT	ZINC PLATED STEEL
11	TWINLOK® TEST PLUG	DZR BRASS
12	TEST PLUG CAP	DZR BRASS
13	STRAP	RUBBER
14	MINI BALL VALVE	DZR BRASS
15	HANDLE	GLASS REINFORCED PLASTIC

DIMENSIONS - mm

Prod. Code	Size	A	B	L	W1	W2	Kv	Wgt kg
2127010	10	41	85	70	50	54	16	0.362
2127015	15	41	85	70	50	54	20	0.367
2127020	20	48	105	72	53	57	60	0.490
2127025	25	52	105	86	56	60	100	0.671
2127032	32	63	130	102	61	65	130	0.947
2127040	40	68	130	113	65	69	170	1.33
2127050	50	83	165	136	71	75	280	2.13