



Series 2215

Triflux Oxy Ungreased 3-Way L Port Brass Ball Valve

DESCRIPTION

A brass 3-way ball valve supplied cleaned and ungreased to ensure optimal levels of patient safety in medical gas installations and an L port ball configuration for controlling flow. The handle indicator provides clear visual representation of the L port position so that medical gas supplies can be safely and reliably shut off or diverted as required.

FEATURES

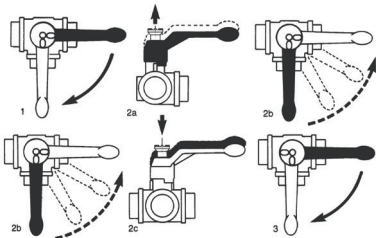
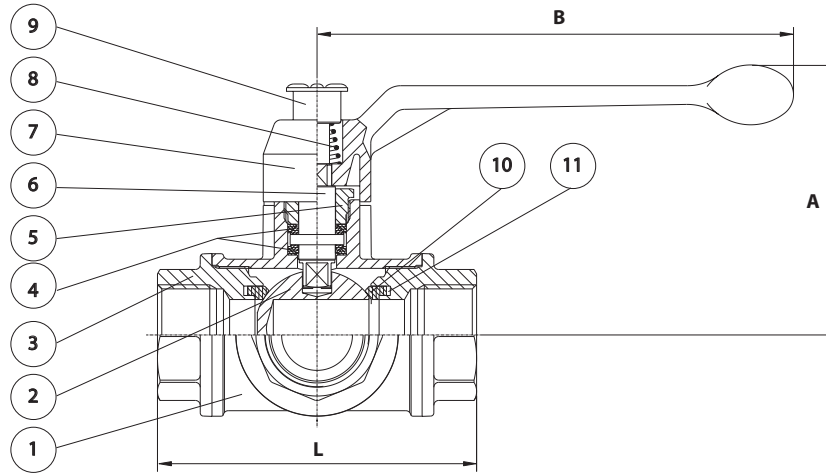
Design	<p>Forged nickel-plated brass body</p> <p>4 seat design provides superior sealing against the ball</p> <p>Spring loaded lever enables rotation of ball to suit flow requirements</p> <p>4 self-adjusting conical stem seals allow for a long and maintenance-free life cycle</p>
Production	<p>Manufactured in Italy under ISO 9001 Quality Management System</p> <p>All valves cleaned internally during production</p> <p>All valves are pressure tested during production</p>
Technical	<p>Female ISO 7/1 Rp (BSP) threaded connections</p> <p>Flow capacity: Full bore</p> <p>Flow control: on/off only, not intended for throttling</p> <p>Temperature range: -20°C to 60°C</p> <p>Max. pressure: DN8-25 2000 kPa; DN32-50 1600 kPa</p> <p>Refer to graph for ratings at specific temperatures</p>
Options & Variants	<p>Size range: DN8 (1/4") to DN50 (2")</p> <p>Series 2214 Triflux Oxy medical gas 3-way T port, side entry</p> <p>Series 2701 Total Oxy ungreased medical gas ball valve</p> <p>Series 2702 T4 top entry ungreased medical gas ball valve</p>

Series 2215

Triflux Oxy Ungreased 3-Way L Port
Brass Ball Valve



DIMENSIONAL AND COMPONENT DIAGRAM



THE DIRECTION OF THE FLOW IS SHOWN BY THE MARKING ON THE POSITION INDICATOR.
POSITION 1 and 3: active operations with rotation of the ball
POSITION 2a - 2b - 2c: passive operations with recovery of lever position with no ball rotation.



PARTS MATERIALS		
POS.	PART	MATERIAL
1	BODY	BRASS
2	BALL	BRASS (CHROME PLATED)
3	END ADAPTOR	BRASS
4	PACKING	PTFE
5	GLAND NUT	BRASS
6	STEM	BRASS
7	HANDLE	POWDER COATED ALUMINIUM
8	SPRING	STEEL
9	FLOW INDICATOR	ZINC PLATED STEEL
10	SEAT	PTFE
11	SEAL	VITON®

DIMENSIONS (mm)						
Prod. Code	DN	Size - (mm)	A	B	L	Wgt Kg
2215006	8	1/4" - (6.3)	77	130	71	0.700
2215010	10	3/8" - (9.5)	77	130	71	0.650
2215015	15	1/2" - (12.7)	77	130	71	0.660
2215020	20	3/4" - (19.0)	89	160	96	1.14
2215025	25	1" - (25.4)	93	160	113	1.78
2215032	32	1 1/4" - (31.7)	110	195	130	2.74
2215040	40	1 1/2" - (38.1)	115	195	147	3.85
2215050	50	2" - (50.8)	129	235	169	6.15

