



## Series 2304

### Carbon Steel High Pressure Ball Valve

#### DESCRIPTION

A carbon steel ball valve with female threads, strong alloy handle and robust construction designed specifically to provide outstanding performance in high pressure applications. The internal Delrin® sealing components offer high-wear resistance, low-friction operation and excellent leak prevention when the valve is under high pressure load.

#### FEATURES

<b>Design</b>	<ul style="list-style-type: none"> <li>Body in high quality machined carbon steel</li> <li>Suitable for high pressure applications</li> <li>Robust alloy lever handle for added durability</li> <li>Delrin® ball seals for superior leak prevention under high pressure</li> <li>Blow-out proof stem to prevent leakage and ensure safety</li> </ul>
<b>Production</b>	<ul style="list-style-type: none"> <li>Manufactured in Italy under ISO 9001 Quality Management System</li> <li>All valves are pressure tested during production</li> </ul>
<b>Technical</b>	<ul style="list-style-type: none"> <li>Female ISO 7/1 Rp (BSP) threaded connections</li> <li>Flow capacity: Full bore</li> <li>Flow control: On/off only, not intended for throttling</li> <li>Temperature range: -20°C to 100°C</li> <li>Max. pressure: DN8-15 500 Bar (50,000 kPa)</li> <li>                  DN20 400 Bar (40,000 kPa)</li> <li>                  DN25 350 Bar (35,000 kPa)</li> </ul>
<b>Options &amp; Variants</b>	<ul style="list-style-type: none"> <li>Size range: DN8 (1/4") to DN25 (1")</li> <li>Series 2305 Carbon steel high pressure ball valve DN32-DN50</li> <li>Series 2301 Hipress high pressure F&amp;F ball valve T handle</li> <li>Series 4090 stainless high pressure BSP F&amp;F</li> <li>Series 4091 stainless high pressure NPT F&amp;F</li> </ul>

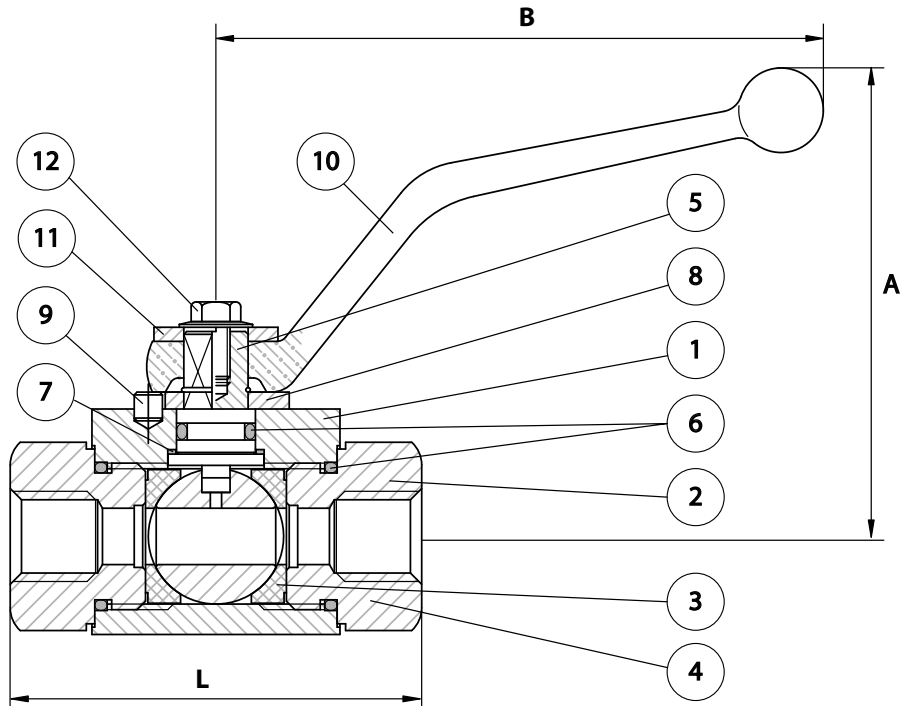


# Series 2304

## Carbon Steel High Pressure Ball Valve



### DESCRIPTION



PARTS MATERIALS		
POS.	PART	MATERIAL
1	BODY	CARBON STEEL
2	END ADAPTOR	CARBON STEEL
3	BALL	CARBON STEEL
4	SEAL	DELRIN®
5	STEM	CARBON STEEL
6	O-RING	NBR
7	THRUST WASHER	DELRIN®
8	WASHER	STEEL
9	STOPPER PIN	CARBON STEEL
10	HANDLE	ZAMA (ZINC, ALUMINUM, MAGNESIUM)
11	WASHER	STEEL
12	SCREW	ZINC PLATED STEEL

DIMENSIONS (mm)						
Prod. Code	DN	Size - (mm)	A	B	L	Wgt Kg
2304006	8	1/4" - (6.3)	77	110	71	0.500
2304010	10	3/8" - (9.5)	79	110	73	0.650
2304015	15	1/2" - (12.7)	81	110	83	0.750
2304020	20	3/4" - (19.0)	83	180	95	1.40
2304025	25	1" - (25.4)	84	180	113	2.15