



Series 2402

Total Heavy Pattern
Brass Ball Valve
F&F T Handle

FEATURES

MANUFACTURED IN ITALY

AUSTRALIAN GAS ASSOCIATION APPROVAL #5301

FULL BORE

CONICAL PTFE STEM SEALING SYSTEM

WRAPPING SEATS ENSURE A LONG MAINTENANCE-FREE LIFE CYCLE

HEAVY PATTERN DESIGN

MUST BE OPERATED IN FULLY OPEN OR CLOSED POSITION

ALL VALVES PRESSURE TESTED DURING PRODUCTION

SIZE RANGE: 3MM TO 25MM

PRESSURE AND TEMPERATURE RATINGS

TEMPERATURE RANGE: -20°C TO 150°C

MAXIMUM OPERATING PRESSURE AT NOMINAL TEMPERATURES:

FLUIDS 10000 kPa

FOR RATINGS AT SPECIFIC TEMPERATURES REFER TO GRAPH OVERLEAF

GAS 1050 kPa



AGA 5301
AS 4617

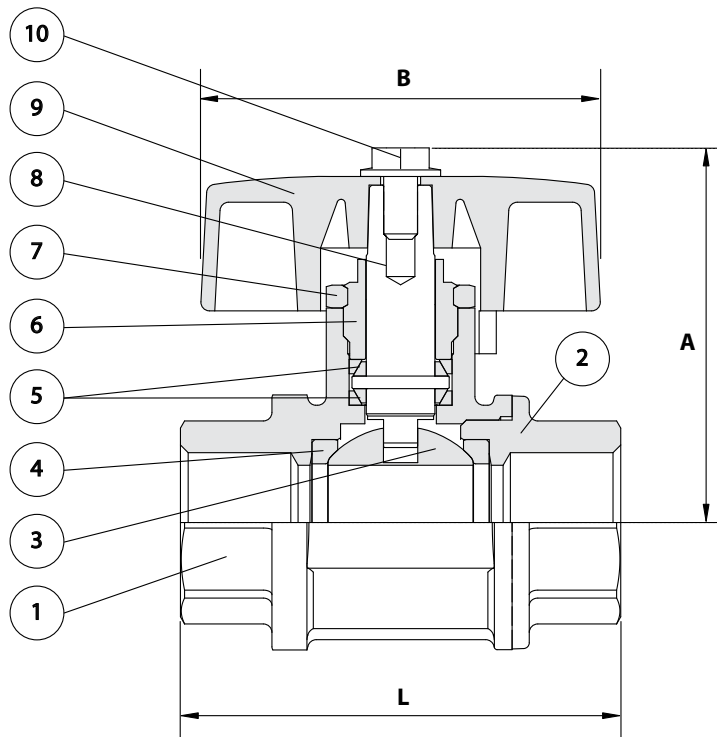
Series 2402

Total Heavy Pattern Brass Ball Valve

F&F T Handle



DIMENSIONAL AND COMPONENT DIAGRAM



MATERIALS

POS.	PART NAME	MATERIALS
1	BODY	BRASS
2	END ADAPTOR	BRASS
3	BALL	BRASS
4	SEAL	PTFE
5	STEM PACKING RING	PTFE
6	GLAND	BRASS
7	GLAND NUT	BRASS
8	STEM	BRASS
9	HANDLE	ALUMINIUM
10	SCREW	ZINC PLATED STEEL

DIMENSIONS - mm

Prod. Code	Size	A	B	L	Kv	Wgt kg
2402003	3	52	75	50	11	0.160
2402006	6	61	75	51	11	0.150
2402010	10	61	100	55	11	0.245
2402015	15	64	100	69	20	0.375
2402020	20	76	120	77	60	0.625
2402025	25	80	120	89	100	0.880

PRESSURE/TEMPERATURE DIAGRAM

