



Series 2601

Zetco AGA Approved Ductile Iron Flanged Ball Valve

DESCRIPTION

A flanged ductile iron ball valve AGA approved to AS 4617 (Approval #6633 Type 1 - Isolation Valve). Double stem o-rings provide dynamic sealing to prevent leakage and carbon-reinforced PTFE ball seals ensure smooth reliable operation. Suitable for a range of applications, the full and straight bore minimises head loss and reduces turbulence during operation.

FEATURES

Design	<p>Investment cast body and flange in ductile iron (B2.1 Series)</p> <p>Epoxy coating prevents corrosion, tuberculation and surface wear while promoting efficient flow of fluids</p> <p>Reinforced PTFE ball seals for consistent operating torque</p> <p>Blow-out proof stem to prevent leakage and ensure safety</p>
Production	<p>Manufactured in Italy under ISO 9001 Quality Management System</p> <p>All valves are pressure tested during production</p>
Technical	<p>Flanges drilled to ANSI B16.5 150 or AS 2129 Table D/E</p> <p>Flow capacity: Full bore</p> <p>Flow control: On/off only, not intended for throttling</p> <p>Temperature range: -20°C to 70°C</p> <p>Max. pressure: 1600 kPa (refer to graph)</p> <p>NOTE: buried installations must be wrapped in Denso® tape</p>
Options & Variants	<p>Size range: DN20 (3/4") to DN150 (6")</p> <p>Series 2601 AGA approved DN200 cast iron flanged ball valve</p> <p>Series 2602 AGA approved ductile iron flanged underground ball valve</p> <p>Series 2603 AGA approved ductile iron flanged lockable ball valve</p> <p>Series 2605 WaterMarked bronze flanged ball valve</p>

BIM-MED^{AUS}



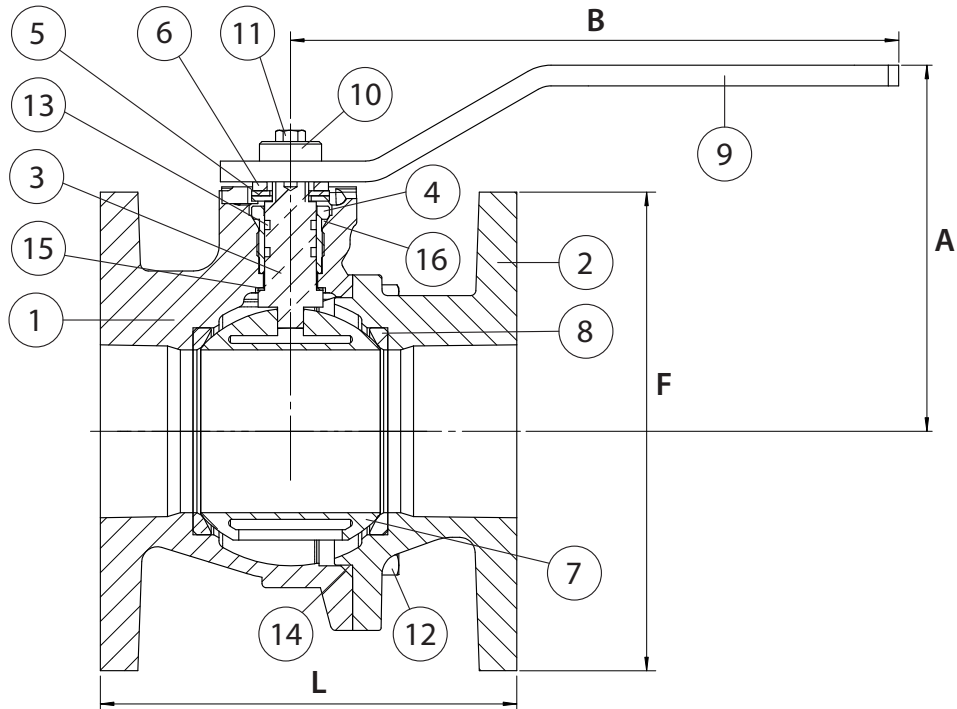
AGA 6633 G
AS 4617

Series 2601

Zetco AGA Approved Ductile Iron Flanged Ball Valve



DIMENSIONAL AND COMPONENT DIAGRAM



PARTS MATERIALS

POS.	PART	MATERIAL
1	BODY	DUCTILE IRON
2	FLANGE	DUCTILE IRON
3	STEM	BRASS
4	GLAND NUT	BRASS
5	STOPPER PLATE	STAINLESS STEEL 304
6	WASHER	STAINLESS STEEL 304
7	BALL	BRASS (CHROME PLATED)
8	SEAL	PTFE + CARBON
9	HANDLE	POWDER COATED STEEL
10	SPACER RING	BRASS
11	HANDLE SCREW	STAINLESS STEEL 304
12	NUT & BOLT	STAINLESS STEEL 304
13	STEM O-RING	NBR
14	BODY O-RING	NBR
15	THRUST WASHER	PTFE
16	GLAND NUT O-RING	NBR

DIMENSIONS (mm)

Prod. Code	Size	A	B	L	F	Kv	Wgt Kg
2601020	20	84	160	114	105	48	3.30
2601025	25	96	170	117	115	83	4.20
2601032	32	101	170	122	140	150	5.70
2601040	40	125	230	132	150	255	7.50
2601050	50	135	230	140	165	435	9.00
2601065	65	143	230	161	185	672	11.00
2601080	80	165	280	171	200	947	15.00
2601100	100	180	360	181	220	1508	18.00
2601125	125	225	450	191	250	2633	29.00
2601150	150	243	560	200	285	4261	39.50

PRESSURE/TEMPERATURE GRAPH

