



## Series 2602

### Zetco AGA Approved Ductile Iron Underground Flanged Ball Valve

#### DESCRIPTION

A flanged ductile iron ball valve AGA approved to AS 4617 (Approval #6633 Type 1 - Isolation Valve) fitted with an adaptor for underground installation. Double stem o-rings provide dynamic sealing to prevent leakage and carbon-reinforced PTFE ball seals ensure smooth reliable operation. The full and straight bore minimises head loss and reduces turbulence.

#### FEATURES

|                               |  |
|-------------------------------|--|
| <b>Design</b>                 | <ul style="list-style-type: none"> <li>Investment cast body and flange in ductile iron (B2.1 Series)</li> <li>Cast iron adaptor for underground installation</li> <li>Epoxy coating prevents corrosion, tuberculation and surface wear while promoting efficient flow of fluids</li> <li>Reinforced PTFE ball seals for consistent operating torque</li> <li>Blow-out proof stem to prevent leakage and ensure safety</li> </ul> |
| <b>Production</b>             | <ul style="list-style-type: none"> <li>Manufactured in Italy under ISO 9001 Quality Management System</li> <li>All valves are pressure tested during production</li> </ul>   |
| <b>Technical</b>              | <ul style="list-style-type: none"> <li>Flanges drilled to ANSI B16.5 150 or AS 2129 Table D/E</li> <li>Flow capacity: Full bore</li> <li>Flow control: on/off only, not intended for throttling</li> <li>Buried installations must be wrapped in Denso® tape</li> <li>Temperature range: -20°C to 70°C</li> <li>Max. pressure: 1600 kPa (see graph overleaf)</li> </ul>  |
| <b>Options &amp; Variants</b> | <ul style="list-style-type: none"> <li>Size range: 40mm to 150mm</li> <li>Use with Series 2502 underground key (sold separately)</li> <li>Series 2601 with lever handle</li> <li>Series 2603 with lockable lever handle</li> </ul>   |



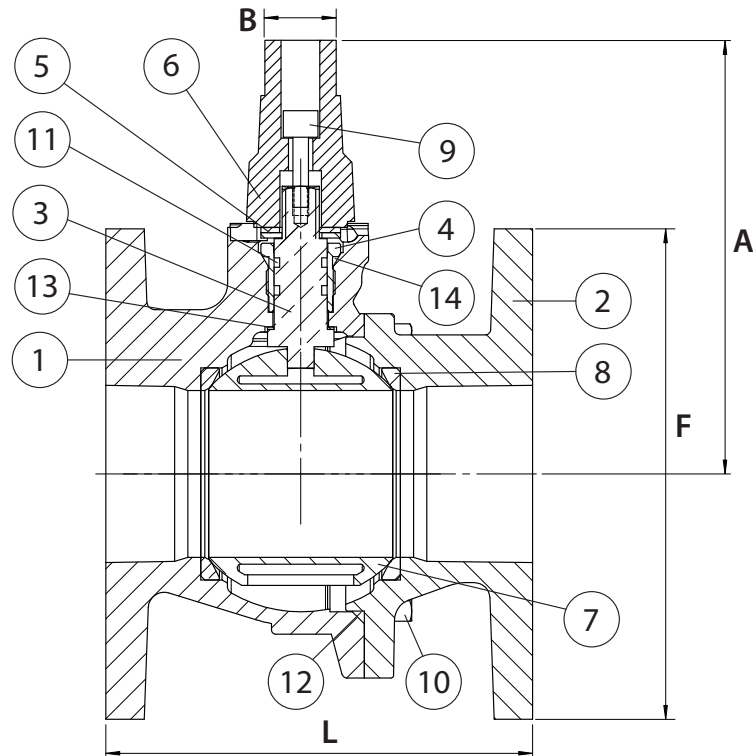
AGA 6633 G  
AS 4617

# Series 2602

Zetco AGA Approved Ductile Iron  
Underground Flanged Ball Valve



## DESCRIPTION



## PARTS MATERIALS

| POS. | PART             | MATERIAL              |
|------|------------------|-----------------------|
| 1    | BODY             | DUCTILE IRON          |
| 2    | FLANGE           | DUCTILE IRON          |
| 3    | STEM             | BRASS                 |
| 4    | GLAND NUT        | BRASS                 |
| 5    | STOPPER PLATE    | STAINLESS STEEL 304   |
| 6    | ADAPTOR          | CAST IRON             |
| 7    | BALL             | BRASS (CHROME PLATED) |
| 8    | SEAL             | PTFE + CARBON         |
| 9    | ADAPTOR BOLT     | STAINLESS STEEL 304   |
| 10   | NUT & BOLT       | STAINLESS STEEL 304   |
| 11   | STEM O-RING      | NBR                   |
| 12   | BODY O-RING      | NBR                   |
| 13   | THRUST WASHER    | PTFE                  |
| 14   | GLAND NUT O-RING | NBR                   |

## DIMENSIONS (mm)

| Prod. Code | Size | A   | B  | L   | F   | Kv   | Wgt Kg |
|------------|------|-----|----|-----|-----|------|--------|
| 2602040    | 40   | 150 | 27 | 132 | 150 | 255  | 7.03   |
| 2602050    | 50   | 162 | 27 | 140 | 165 | 435  | 8.90   |
| 2602065    | 65   | 172 | 27 | 161 | 185 | 672  | 10.82  |
| 2602080    | 80   | 190 | 27 | 171 | 200 | 947  | 14.20  |
| 2602100    | 100  | 205 | 27 | 181 | 220 | 1508 | 17.35  |
| 2602125    | 125  | 238 | 27 | 191 | 250 | 2633 | 28.55  |
| 2602150    | 150  | 257 | 27 | 200 | 285 | 4261 | 37.50  |

## PRESSURE/TEMPERATURE GRAPH

