

Series 2605

Zetco WaterMarked Bronze Flanged Ball Valve

FEATURES

MANUFACTURED IN ITALY
BRONZE BODY AND FLANGE
STAINLESS STEEL 316 BALL AND STEM
RESILIENT SEATED
FULL BORE
WATERMARKED TO AS WMTS-012 LICENCE WM-022033
DOUBLE VITON® O-RINGS IN THE STEM GUARANTEE A DYNAMIC SEAL AT HIGH TEMPERATURES
BLOW-OUT PROOF STEM
CARBON-REINFORCED PTFE BALL SEALS GUARANTEE CONSISTENT TORQUE
FOR BURIED INSTALLATIONS, VALVE MUST BE COMPLETELY WRAPPED IN DENSO® TAPE
FLANGES ARE DRILLED TO CLIENT SPECIFICATIONS
MUST BE OPERATED IN FULLY OPEN OR CLOSED POSITION
ALL VALVES PRESSURE TESTED DURING PRODUCTION
SIZE RANGE: 50MM TO 100MM

PRESSURE AND TEMPERATURE RATINGS

TEMPERATURE RANGE: -20°C TO 120°C
MAXIMUM OPERATING PRESSURE AT NOMINAL TEMPERATURES: 1600 kPa
FOR RATINGS AT SPECIFIC TEMPERATURES REFER TO GRAPH OVERLEAF

BIM-MED^{AUS}



WaterMark
IAPMO WM-022033
WMTS-012

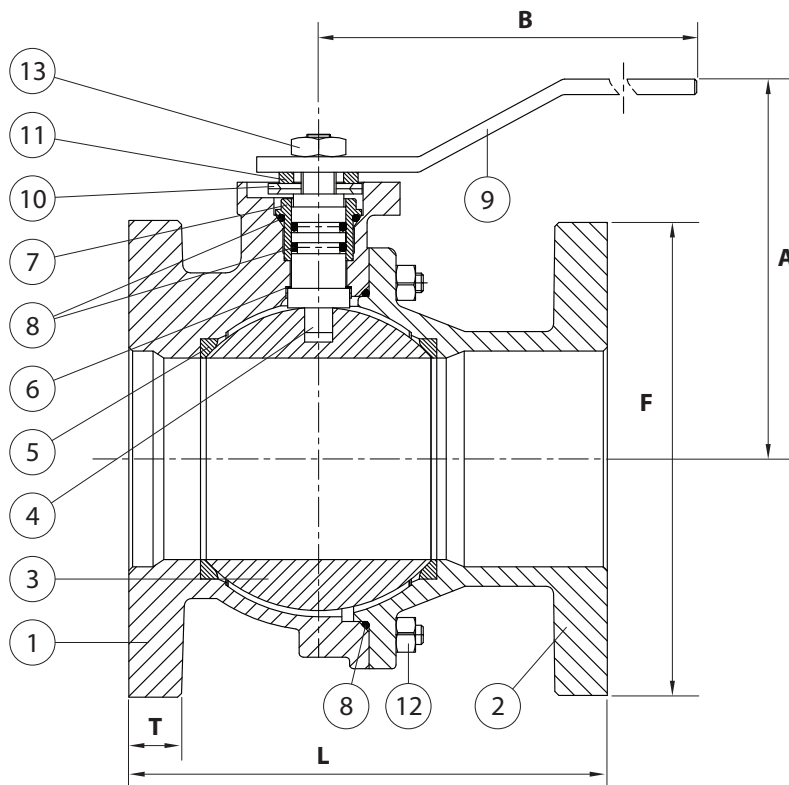
Series 2605

Zetco WaterMarked Bronze

Flanged Ball Valve



DIMENSIONAL AND COMPONENT DIAGRAM



MATERIALS

POS.	PART NAME	MATERIALS
1	BODY	BRONZE
2	FLANGE	BRONZE
3	BALL	STAINLESS STEEL 316
4	STEM	STAINLESS STEEL 316
5	SEAL	PTFE + CARBON
6	THRUST WASHER	PTFE
7	RING NUT	STAINLESS STEEL 316
8	O-RINGS	VITON®
9	HANDLE	GALVANISED CARBON STEEL
10	STOP PLATE	STAINLESS STEEL 316
11	SPRING WASHER	STAINLESS STEEL 316
12	NUT BOLT	STAINLESS STEEL 316
13	NUT	STAINLESS STEEL 316

DIMENSIONS - mm

Prod. Code	Size	A	B	L	F	T	Kv	Wgt kg
2605050	50	135	230	150	165	18	60	12.3
2605065	65	143	230	170	185	24	100	16.9
2605080	80	165	280	180	200	24	155	21.9
2605100	100	180	360	190	220	24	325	28.4

PRESSURE/TEMPERATURE DIAGRAM

