

Series 2843 & 2844

**AGA Approved
Stainless Steel
Needle Valve F&F**

DESCRIPTION

A 316 grade stainless steel needle valve with a choice of either BSPT or NPT threads, AGA approved to AS 4617 (Approval #9011 G Type 4, special purpose valves) for use in gas applications. This valve offers very precise control of gas flow with the double PTFE stem packing and Viton® bonnet o-ring preventing leakage.

FEATURES

| | |
|-------------------------------|--|
| Design | <p>Investment cast body and spindle in stainless steel 316 grade</p> <p>Heavy pattern design for added durability</p> <p>Suitable for applications where fine control is required</p> <p>Double stem packing and viton bonnet o-ring to prevent leakage</p> |
| Production | <p>Manufactured in China under ISO 9001 Quality Management System</p> <p>All valves are pressure tested during production</p> |
| Technical | <p>Female ISO 7/1 Rc (BSPT) threaded connections (2843 Series)</p> <p>Female ANSI B1.20.1 (NPT) threaded connections (2844 Series)</p> <p>Flow control: suitable for throttling and fine control</p> <p>Temperature range: -20°C to 100°C</p> <p>Max. pressure: 4,000 kPa (refer to graph)</p> |
| Options & Variants | <p>Size range: DN6 (1/8") to DN25 (1")</p> <p>Series 2843 & 2844 AGA Approved stainless needle valve BSPT/NPT</p> <p>Series 2805 & 2806 non-tested carbon steel needle valve BSP/NPT</p> <p>Series 1725 WaterMarked bronze needle valve F&F</p> <p>Series 1724 WaterMarked bronze 90° angle needle valve F&F</p> |



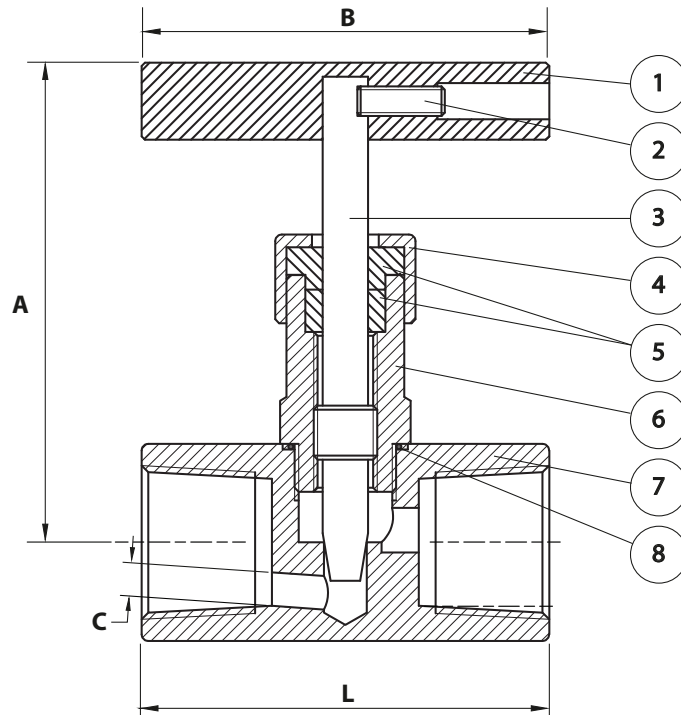
AGA 9011 G
AS 4617

Series 2843 & 2844

AGA Approved Stainless Steel
Needle Valve F&F



DIMENSIONAL AND COMPONENT DIAGRAM



PARTS MATERIALS

| POS. | PART | MATERIAL |
|------|--------------|---------------------|
| 1 | HANDLE | STAINLESS STEEL 304 |
| 2 | GRUB SCREW | STAINLESS STEEL 304 |
| 3 | SPINDLE | STAINLESS STEEL 316 |
| 4 | NUT | STAINLESS STEEL 304 |
| 5 | STEM PACKING | PTFE |
| 6 | BONNET | STAINLESS STEEL 304 |
| 7 | BODY | STAINLESS STEEL 316 |
| 8 | O-RING | VITON® |

DIMENSIONS (mm)

| BSPT | NPT | DN | Size - (mm) | A | B | C | L | Kv | Wgt Kg |
|---------|---------|----|---------------|-----|----|---|------|------|--------|
| 2843003 | 2844003 | 6 | 1/8" - (3.1) | 77 | 60 | 5 | 45.5 | 0.60 | 0.286 |
| 2843006 | 2844006 | 8 | 1/4" - (6.3) | 77 | 60 | 5 | 45.5 | 0.69 | 0.281 |
| 2843010 | 2844010 | 10 | 3/8" - (9.5) | 78 | 60 | 5 | 59 | 0.77 | 0.364 |
| 2843015 | 2844015 | 15 | 1/2" - (12.7) | 81 | 60 | 6 | 65 | 1.03 | 0.491 |
| 2843020 | 2844020 | 20 | 3/4" - (19.0) | 113 | 81 | 8 | 70 | 1.12 | 0.801 |
| 2843025 | 2844025 | 25 | 1" - (25.4) | 117 | 81 | 8 | 80 | 1.55 | 1.23 |

PRESSURE/TEMPERATURE GRAPH

