



Series 4014

Zetco 3-Way T Port Stainless Steel Ball Valve

FEATURES

MANUFACTURED IN TAIWAN (R.O.C.)

STAINLESS STEEL 316

LOCKABLE HANDLE ALLOWS VALVE TO BE LOCKED IN OPEN OR CLOSED POSITION

FULL BORE

4 SEATS DESIGN

REINFORCED PTFE SEALS

ALL VALVES PRESSURE TESTED DURING PRODUCTION

SIZE RANGE: 6MM TO 50MM

PRESSURE AND TEMPERATURE RATINGS

TEMPERATURE RANGE: -30°C TO 230°C

MAXIMUM OPERATING PRESSURE AT NOMINAL TEMPERATURES:

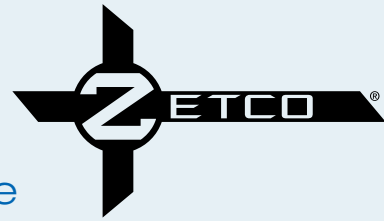
6MM TO 32MM: 6900 kPa

40MM TO 50MM: 5500 kPa

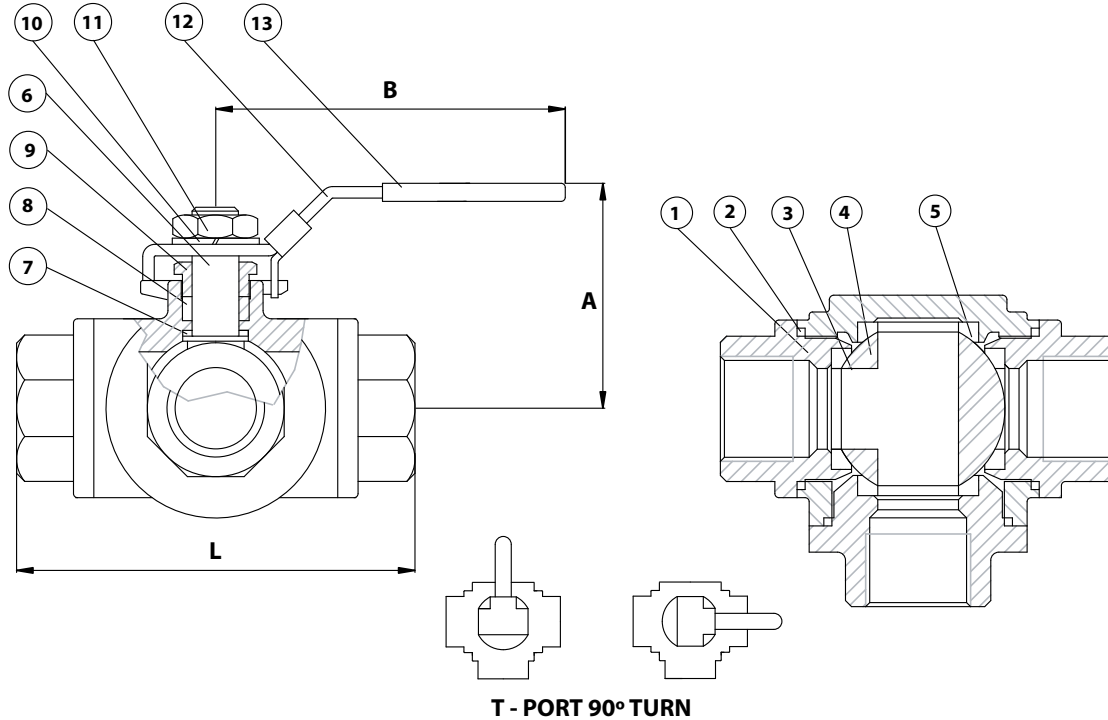
FOR RATINGS AT SPECIFIC TEMPERATURES REFER TO GRAPH OVERLEAF

Series 4014

Zetco 3-Way T Port Stainless Steel Ball Valve



DIMENSIONAL AND COMPONENT DIAGRAM



MATERIALS

POS.	PART NAME	MATERIALS
1	END ADAPTOR	STAINLESS STEEL 316
2	GASKET	PTFE
3	BODY	STAINLESS STEEL 316
4	BALL	STAINLESS STEEL 316
5	SEAL	PTFE + CARBON
6	STEM	STAINLESS STEEL 316
7	THRUST WASHER	REINFORCED PTFE
8	STEM PACKING RING	PTFE
9	GLAND	STAINLESS STEEL 316
10	WASHER	STAINLESS STEEL 304
11	NUT	STAINLESS STEEL 304
12	HANDLE	STAINLESS STEEL 304
13	SLEEVE	PLASTIC

DIMENSIONS - mm

Prod. Code	Size	A	B	L	Wgt kg
4014006	6	52	140	72	0.540
4014010	10	52	140	72	0.540
4014015	15	56	140	83	0.850
4014020	20	70	162	99	1.25
4014025	25	76	162	112	2.10
4014032	32	82	195	125	2.85
4014040	40	91	195	149	4.85
4014050	50	122	305	174	8.55

PRESSURE/TEMPERATURE DIAGRAM

