



## Series 4019

### Zetco 3-Piece Stainless Steel Ball Valve

#### FEATURES

MANUFACTURED IN TAIWAN (R.O.C.)

STAINLESS STEEL 316

LOCKABLE HANDLE ALLOWS VALVE TO BE LOCKED IN OPEN OR CLOSED POSITION

BLOW-OUT PROOF STEM

FULL BORE

INVESTMENT CASTING

PTFE SEALS

MUST BE OPERATED IN FULLY OPEN OR CLOSED POSITION

ALL VALVES PRESSURE TESTED DURING PRODUCTION

SIZE RANGE: 6MM TO 100MM

#### PRESSURE AND TEMPERATURE RATINGS

TEMPERATURE RANGE: -20°C TO 150°C

MAXIMUM OPERATING PRESSURE AT NOMINAL TEMPERATURES: 5500 kPa

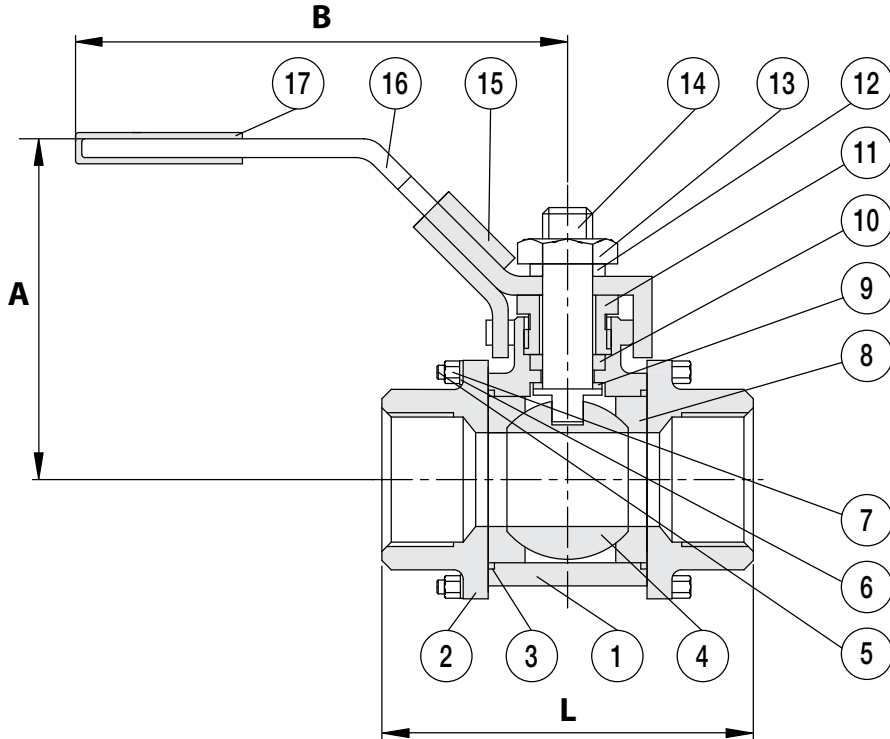
FOR RATINGS AT SPECIFIC TEMPERATURES REFER TO GRAPH OVERLEAF

# Series 4019

## Zetco 3-Piece Stainless Steel Ball Valve



### DIMENSIONAL AND COMPONENT DIAGRAM



### MATERIALS

POS.	PART NAME	MATERIALS
1	BODY	STAINLESS STEEL 316
2	END ADAPTOR	STAINLESS STEEL 316
3	GASKET	PTFE
4	BALL	STAINLESS STEEL 316
5	BOLT	STAINLESS STEEL 304
6	WASHER	STAINLESS STEEL 304
7	NUT	STAINLESS STEEL 304
8	SEAL	PTFE
9	THRUST WASHER	PTFE
10	STEM PACKING RING	PTFE
11	GLAND	STAINLESS STEEL 304
12	WASHER	STAINLESS STEEL 304
13	NUT	STAINLESS STEEL 304
14	STEM	STAINLESS STEEL 316
15	LOCKING MECHANISM	STAINLESS STEEL 304
16	HANDLE	STAINLESS STEEL 304
17	SLEEVE	PLASTIC

### DIMENSIONS - mm

Prod. Code	Size	A	B	L	Kv	Wgt kg
4019006	6	55	105	60	7	0.393
4019010	10	57	105	60	8	0.366
4019015	15	57	105	66	12	0.484
4019020	20	62	105	78	29	0.645
4019025	25	74	130	85	41	0.920
4019032	32	79	130	103	53	1.40
4019040	40	97	155	118	93	2.23
4019050	50	103	200	130	128	3.25
4019065	65	115	200	163	360	6.33
4019080	80	135	280	180	418	9.79
4019100	100	175	335	230	951	19.63

### PRESSURE/TEMPERATURE DIAGRAM

