



Series 4024

Zetco
Stainless Steel
Flanged Foot Valve

FEATURES

MANUFACTURED IN CHINA

STAINLESS STEEL 316

INVESTMENT CASTING

LEVER TYPE

FLANGES ARE DRILLED TO CLIENT SPECIFICATIONS

ALL VALVES PRESSURE TESTED DURING PRODUCTION

SIZE RANGE: 50MM TO 200MM

PRESSURE AND TEMPERATURE RATINGS

MAXIMUM OPERATING TEMPERATURE: 100°F @ 275 PSI (37°C @ 1900 kPa)

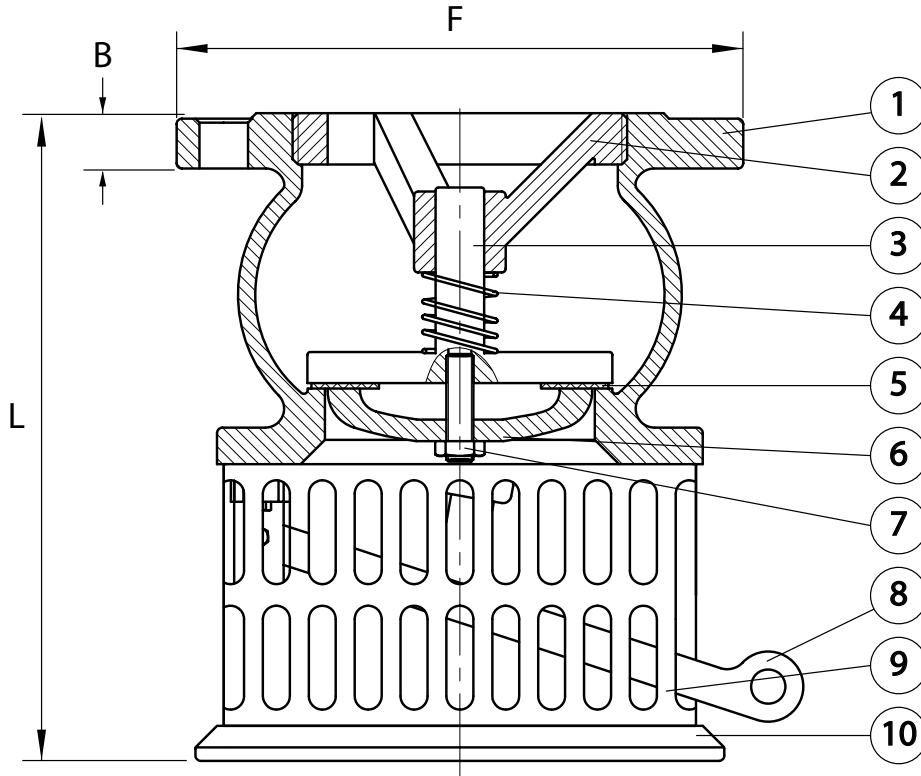
FOR RATINGS AT SPECIFIC TEMPERATURES REFER TO GRAPH OVERLEAF

Series 4024

Zetco Stainless Steel Flanged Foot Valve



DIMENSIONAL AND COMPONENT DIAGRAM



MATERIALS

POS.	PART NAME	MATERIALS
1	BODY	STAINLESS STEEL 316
2	CAP	STAINLESS STEEL 316
3	DISC	STAINLESS STEEL 316
4	SPRING	STAINLESS STEEL 316
5	DISC SEAT	NBR
6	GLAND	STAINLESS STEEL 316
7	BOLT	STAINLESS STEEL 304
8	LEVER HANDLE	STAINLESS STEEL 316
9	SCREEN	STAINLESS STEEL 304
10	SCREEN	STAINLESS STEEL 304
*	NAMEPLATE	ALUMINIUM

DIMENSIONS - mm

Prod. Code	Size	F	B	L	Kv	Wgt kg
4024050	50	152	16	190	50	5.38
4024065	65	178	17.5	200	97	7.14
4024080	80	190	19	220	118	8.62
4024100	100	229	24	240	203	11.6
4024150	150	279	25	280	453	16.3
4024200	200	343	29	390	788	36.5

PRESSURE/TEMPERATURE DIAGRAM

