



Series 4060

Stainless Steel Y Strainer

FEATURES

MANUFACTURED IN TAIWAN (R.O.C.)

HEAVY PATTERN DESIGN

STAINLESS STEEL 316

INVESTMENT CASTING

REMOVABLE 1/2" PLUG FOR FLUSHING PURPOSES

REINFORCED STAINLESS STEEL 316 MESH

800 MICRON MESH

NOT WATERMARKED AND NOT SUITABLE FOR INSTALLATIONS THAT
MUST BE AS/NZS 3500 COMPLIANT (DRINKING OR NON-DRINKING WATER)

ALL VALVES PRESSURE TESTED DURING PRODUCTION

SIZE RANGE: 8MM TO 80MM

PRESSURE AND TEMPERATURE RATINGS

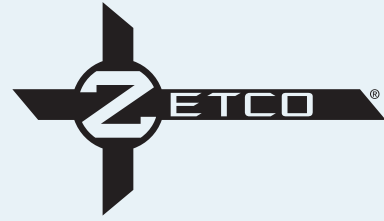
TEMPERATURE RANGE: -20°C TO 200°C

MAXIMUM OPERATING PRESSURE AT NOMINAL TEMPERATURES: 4000 kPa

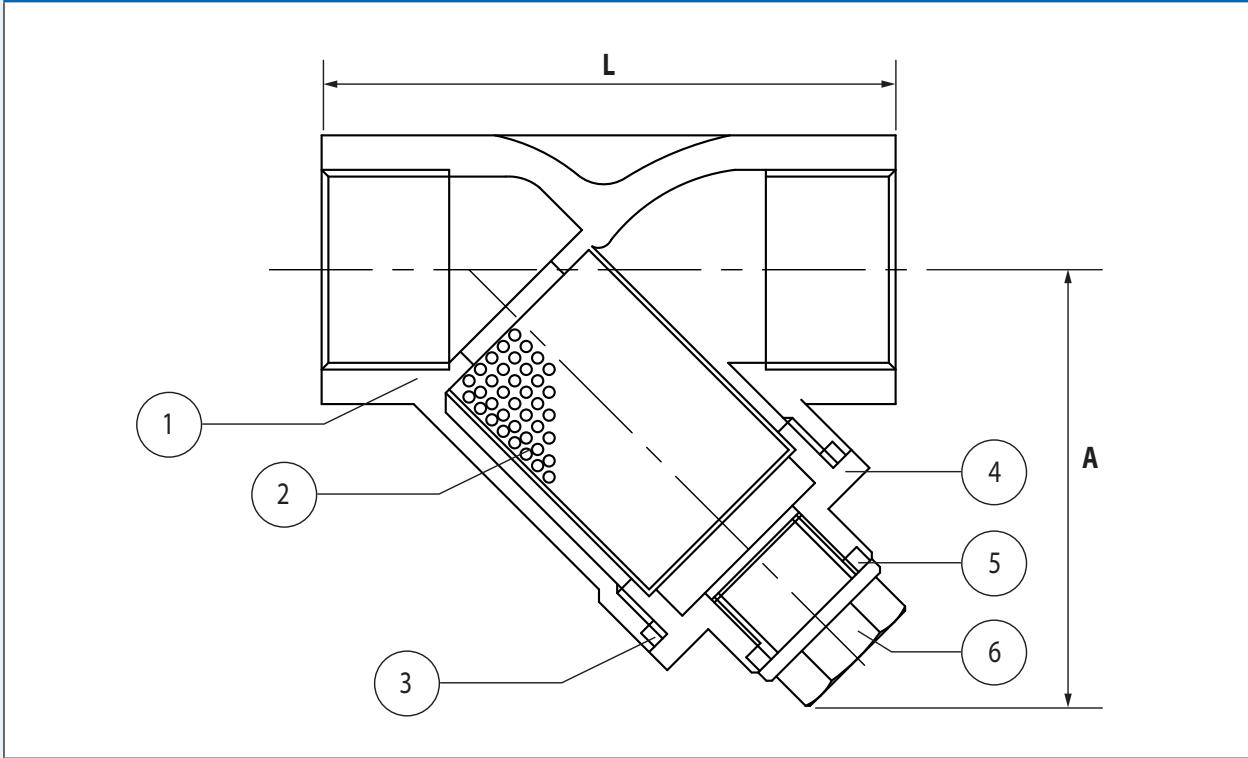
FOR RATINGS AT SPECIFIC TEMPERATURES REFER TO GRAPH OVERLEAF

Series 4060

Stainless Steel Y Strainer



DIMENSIONAL AND COMPONENT DIAGRAM



MATERIALS

POS.	PART NAME	MATERIALS
1	BODY	STAINLESS STEEL 316
2	MESH	STAINLESS STEEL 316
3	GASKET	PTFE
4	CAP	STAINLESS STEEL 316
5	PLUG WASHER	PTFE
6	PLUG	STAINLESS STEEL 316

DIMENSIONS - mm

Prod. Code	Size	A	L	Kv	Wgt kg
4060006	6	45	65	5.8	0.240
4060010	10	45	65	6.0	0.220
4060015	15	45	65	8.1	0.350
4060020	20	55	80	15.4	0.360
4060025	25	70	90	25.7	0.670
4060032	32	72	105	38.5	0.880
4060040	40	80	120	54.0	1.22
4060050	50	93	140	83.9	1.88
4060065	65	115	170	111.4	4.17
4060080	80	129	200	154.2	6.27

PRESSURE/TEMPERATURE DIAGRAM

