



Series 4067

Zetco 3-Way T Port
Bottom Entry
Stainless Steel Ball Valve

FEATURES

MANUFACTURED IN TAIWAN (R.O.C.)

STAINLESS STEEL 316

LOCKING MECHANISM ALLOWS VALVE TO BE LOCKED IN THREE POSITIONS

ISO MOUNTING PAD

ALL VALVES PRESSURE TESTED DURING PRODUCTION

SIZE RANGE: 6MM TO 50MM

PRESSURE AND TEMPERATURE RATINGS

TEMPERATURE RANGE: -20°C TO 150°C

MAXIMUM OPERATING PRESSURE AT NOMINAL TEMPERATURES: 6000 kPa

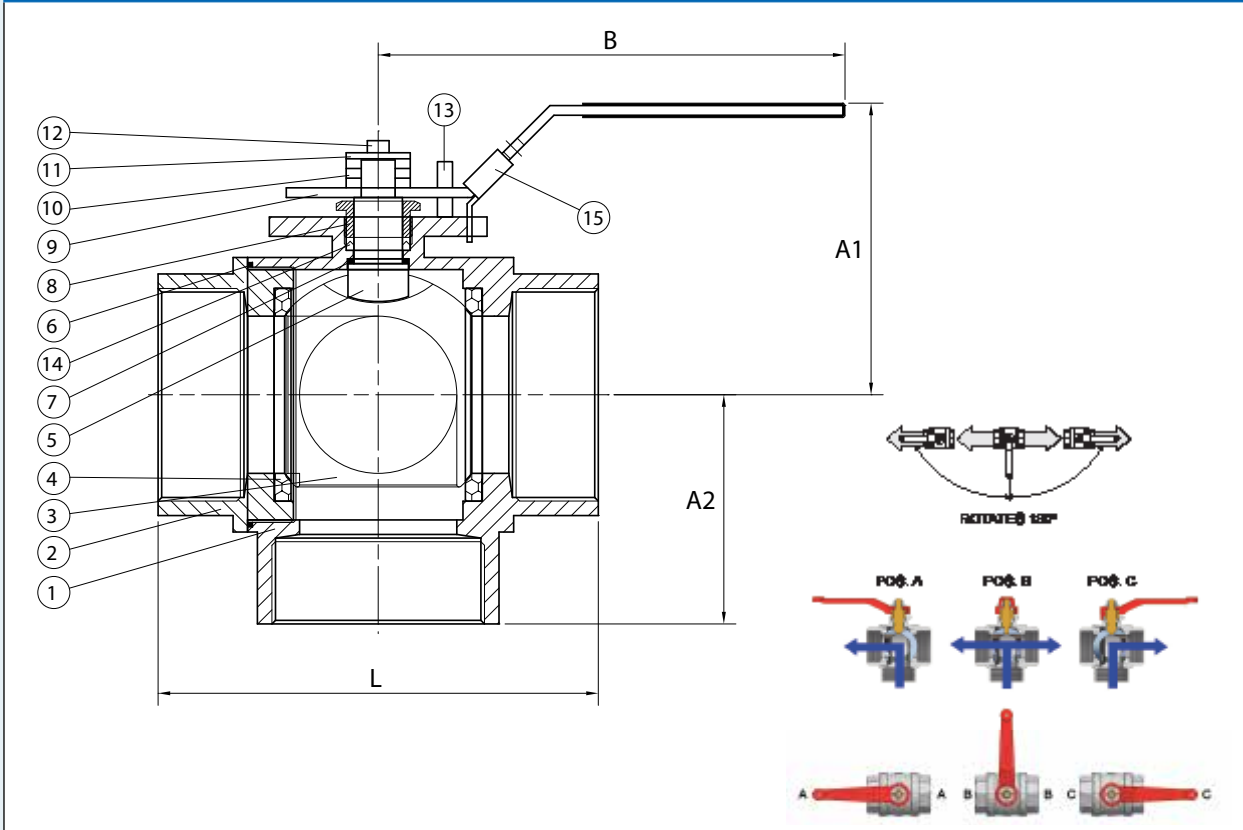
FOR RATINGS AT SPECIFIC TEMPERATURES REFER TO GRAPH OVERLEAF

Series 4067

Zetco 3-Way T Port Bottom Entry Stainless Steel Ball Valve



DIMENSIONAL AND COMPONENT DIAGRAM



MATERIALS

POS.	PART NAME	MATERIALS
1	BODY	STAINLESS STEEL 316
2	END ADAPTOR	STAINLESS STEEL 316
3	SEAL	PTFE
4	BALL	STAINLESS STEEL 316
5	STEM	STAINLESS STEEL 316
6	SEAL	PTFE
7	THRUST WASHER	PTFE
8	GLAND	STAINLESS STEEL 304
9	HANDLE	STAINLESS STEEL 304
10	WASHER	STAINLESS STEEL 304
11	WASHER	STAINLESS STEEL 304
12	NUT	STAINLESS STEEL 304
13	HANDLE STOP	STAINLESS STEEL 304
14	STEM PACKING RING	PTFE
15	LOCKING PLATE	STAINLESS STEEL 304

DIMENSIONS - mm

Prod. Code	Size	A1	A2	B	L	Kv	Wgt kg
4067006	6	60	29	137	58	6	0.420
4067010	10	60	29	137	58	6	0.403
4067015	15	60	35	137	66	8.6	0.420
4067020	20	67	40	137	77	23.1	0.605
4067025	25	71	46	137	89	41.1	0.870
4067032	32	91	52	180	105	60	1.52
4067040	40	94	61	180	111	83.9	1.95
4067050	50	100	71.4	180	137	169.6	2.85

PRESSURE/TEMPERATURE DIAGRAM

