



Series 4073

Zetco 3-Way T Port
Stainless Steel
Flanged Ball Valve

FEATURES

MANUFACTURED IN R.O.C.

STAINLESS STEEL 316

INVESTMENT CASTING

LOCKING MECHANISM ALLOWS VALVE TO BE LOCKED IN EITHER POSITION

ISO MOUNTING PAD

FULL BORE

BLOW-OUT PROOF STEM

ADJUSTABLE STEM PACKING

END FLANGE DIMENSIONS ANSI B16.5 150

MUST BE OPERATED IN FULLY OPEN OR CLOSED POSITION

ALL VALVES PRESSURE TESTED DURING PRODUCTION

SIZE RANGE: 40MM TO 100MM

PRESSURE AND TEMPERATURE RATINGS

TEMPERATURE RANGE: -10°C TO 170°C

MAXIMUM OPERATING PRESSURE AT NOMINAL TEMPERATURES: 1900 kPa

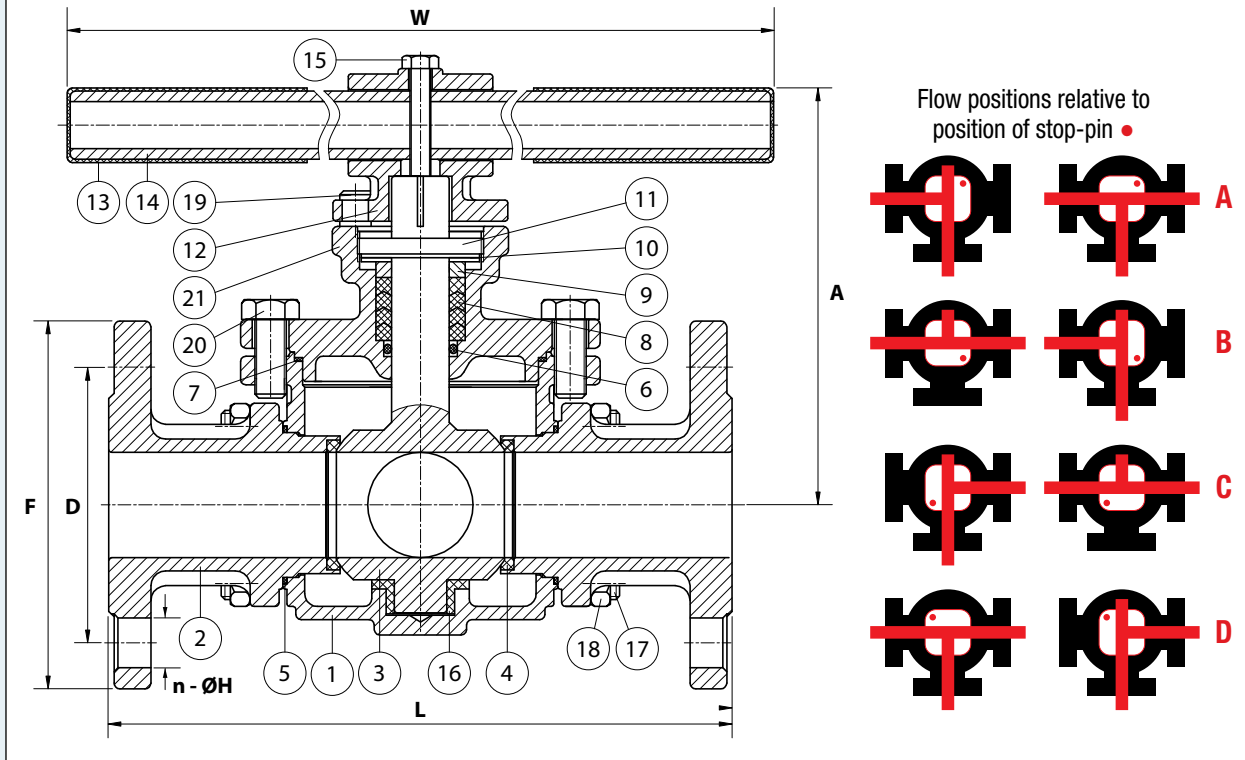
FOR RATINGS AT SPECIFIC TEMPERATURES REFER TO GRAPH OVERLEAF

Series 4073

Zetco 3-Way T Port Stainless Steel Flanged Ball Valve



DIMENSIONAL AND COMPONENT DIAGRAM



MATERIALS

POS.	PART NAME	MATERIALS
1	BODY	STAINLESS STEEL 316
2	END CAP	STAINLESS STEEL 316
3	BALL	STAINLESS STEEL 316
4	SEAT	RPTFE
5	GASKET	RPTFE
6	O-RING	VITON
7	GASKET	RPTFE
8	PACKING	RPTFE
9	GLAND	STAINLESS STEEL 304
10	SPRING WASHER	STAINLESS STEEL 301
11	CAP	STAINLESS STEEL 316
12	HANDLE HEAD	STAINLESS STEEL 316
13	PLASTIC COVER	PLASTIC
14	HANDLE POLE	STAINLESS STEEL 304
15	HANDLE BOLT	STAINLESS STEEL 304
16	SLEEVE	RPTFE
17	BOLT	STAINLESS STEEL 304
18	NUT	STAINLESS STEEL 304
19	STOP PIN	STAINLESS STEEL 304
20	CAP BOLT	STAINLESS STEEL 304
21	CAP	STAINLESS STEEL 316
*	BLIND CAP	STAINLESS STEEL 316

DIMENSIONS - mm

Prod. Code	Size	A	W	L	F	D	n - ØH	Kv	Wgt kg
4073040	40	171	403	221	127	98.5	4 - 16	48	12.6
4073050	50	176	403	254	152	120.5	4 - 19	94.2	16.2
4073065	65	208	504	300	178	139.5	4 - 19	137	26.5
4073080	80	216	504	305	190	152.5	4 - 19	222.8	33.9
4073100	100	236	654	369	229	190.5	8 - 19	368.5	61.9

PRESSURE/TEMPERATURE DIAGRAM

