



Series 4126

Zetco 2-Piece
Stainless Steel
Camlock Ball Valve
Lockable Lever

FEATURES

MANUFACTURED IN TAIWAN (R.O.C.)

STAINLESS STEEL 316

INTEGRATED CAMLOCK COUPLING (EN14420-7 - DIN 2828)

LOCKABLE HANDLE ALLOWS VALVE TO BE LOCKED IN OPEN OR CLOSED POSITION

BLOW-OUT PROOF STEM

FULL BORE

INVESTMENT CASTING

PTFE SEALS

MUST BE OPERATED IN FULLY OPEN OR CLOSED POSITION

ALL VALVES PRESSURE TESTED DURING PRODUCTION

SIZE RANGE: 25MM TO 80MM

PRESSURE AND TEMPERATURE RATINGS

TEMPERATURE RANGE: -20°C TO 150°C

MAXIMUM OPERATING PRESSURE AT NOMINAL TEMPERATURES: 6000 kPa

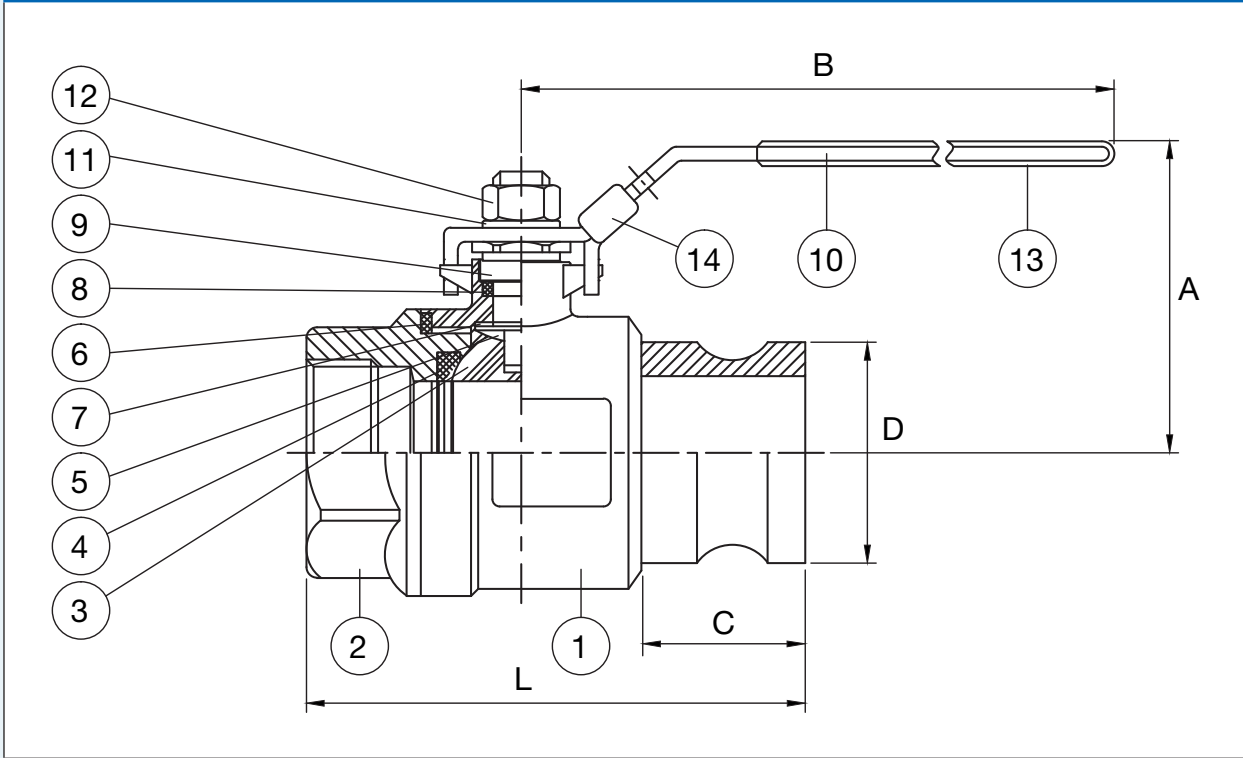
FOR RATINGS AT SPECIFIC TEMPERATURES REFER TO GRAPH OVERLEAF

Series 4126

Zetco 2-Piece Stainless Steel
Camlock Ball Valve Lockable Lever



DIMENSIONAL AND COMPONENT DIAGRAM



MATERIALS

POS.	PART NAME	MATERIALS
1	BODY	STAINLESS STEEL 316
2	END ADAPTOR	STAINLESS STEEL 316
3	BALL	STAINLESS STEEL 316
4	SEAL	PTFE
5	STEM	STAINLESS STEEL 316
6	GASKET	PTFE
7	THRUST WASHER	PTFE
8	STEM PACKING	PTFE
9	GLAND	STAINLESS STEEL 304
10	HANDLE	STAINLESS STEEL 304
11	SPRING WASHER	STAINLESS STEEL 304
12	HANDLE NUT	STAINLESS STEEL 304
13	HANDLE COVER	VINYL
14	LOCKING DEVICE	STAINLESS STEEL 304

DIMENSIONS - mm

Prod. Code	Size	A	B	L	C	D	Kv	Wgt kg
4126025	25	70.7	128	93	33.6	36.7	45	0.580
4126032	32	76.2	128	111	40.5	45.5	64	0.980
4126040	40	89.1	154	125	41.6	53.4	106	1.70
4126050	50	107	154	150.1	49.6	63.0	195	2.41
4126065	65	111	200	176	49.7	75.8	287	4.60
4126080	80	140	276	188	50.8	91.5	445	6.93

PRESSURE/TEMPERATURE DIAGRAM

