



Series 4406

**Zetco WaterMarked
& AGA Approved
2-Piece Stainless Steel
Underground Ball Valve F&F**

DESCRIPTION

A BSPT female threaded, 2-piece investment cast 316 grade stainless steel ball valve dual approved for potable water use (WaterMarked to AS 5830.1, Licence WM-022438) and in gas installations (tested to AS 4617, AGA Approval #8265). This robust valve features an adaptor for underground applications.

FEATURES

Design	Investment cast body in stainless steel 316 grade Stainless steel underground key adaptor PTFE ball seals for smooth, reliable operation Blow-out proof stem to prevent leakage
Production	Manufactured in China under ISO 9001 Quality Management System All valves are pressure tested during production
Technical	Female ISO 7/1 Rc (BSPT) threaded connections Flow capacity: Full bore Flow control: on/off only, not intended for throttling Temperature range: -20°C to 150°C (water), -20°C to 60°C (gas) Max. pressure: 4000 kPa (see graph overleaf)
Options & Variants	Size range: 25mm to 50mm Series 4411 with lockable lever handle Series 4405 WaterMarked underground, BSP threads Series 4400 WaterMarked with lockable lever handle, BSP threads Series 4410 AGA Approved with lockable lever handle, BSP threads Series 2502 Underground key



AGA 8265 G
AS 4617



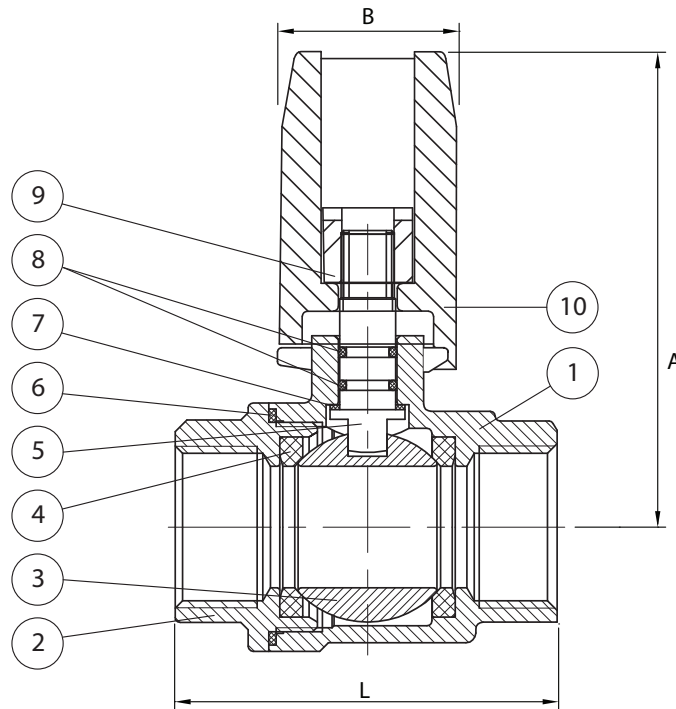
WaterMark
IAPMO WM-022438
AS 5830.1

Series 4406

Zetco WaterMarked & AGA Approved 2-Piece
Stainless Steel Underground Ball Valve F&F



DESCRIPTION



PARTS MATERIALS		
POS.	PART	MATERIAL
1	BODY	STAINLESS STEEL 316
2	END ADAPTOR	STAINLESS STEEL 316
3	BALL	STAINLESS STEEL 316
4	SEAT	PTFE
5	STEM	STAINLESS STEEL 316
6	GASKET	PTFE
7	THRUST WASHER	PTFE
8	O-RING	VITON®
9	SOCKET	STAINLESS STEEL 304
10	ADAPTOR	STAINLESS STEEL 304

DIMENSIONS (mm)						
Prod. Code	Size	A	B	L	Kv	Wgt Kg
4406025	25	96	27	81	30	0.730
4406032	32	100	27	94	39.4	1.19
4406040	40	107	27	104	68.6	1.63
4406050	50	117	27	126	94.3	2.57

