



## Series 4415

### Zetco AGA Approved 2-Piece Stainless Steel Ball Valve F&F T Handle

#### DESCRIPTION

An AGA approved (to AS 4617, Approval #8265) 2-piece investment cast 316 grade stainless steel ball valve with BSP female end connections. This full bore valve is ideal for a wide range of gas applications where a robust and reliable valve is required. In confined spaces, the compact stainless steel T handle allows for easy manual operation.

#### FEATURES

<b>Design</b>	Investment cast body in 316 grade stainless steel Compact T handle in 304 grade stainless steel PTFE ball seals for smooth, reliable operation Blow-out proof stem to prevent leakage and ensure safety
<b>Production</b>	Manufactured in China under ISO 9001 Quality Management System All valves are pressure tested during production
<b>Technical</b>	Female ISO 7/1 Rp (BSP) threaded connections Flow capacity: Full bore Flow control: on/off only, not intended for throttling Temperature range: -20°C to 60°C Max. pressure: 4000 kPa (refer to graph)
<b>Options &amp; Variants</b>	Size range: DN8 (1/4") to DN32 (1 1/4") Series 4410 2-piece stainless AGA approved BSP F&F lockable Series 4412 2-piece stainless AGA approved BSP M&F lockable Series 4418 2-piece stainless AGA approved BSP M&F T handle Series 4406 2-piece S/S water & gas BSPT F&F underground



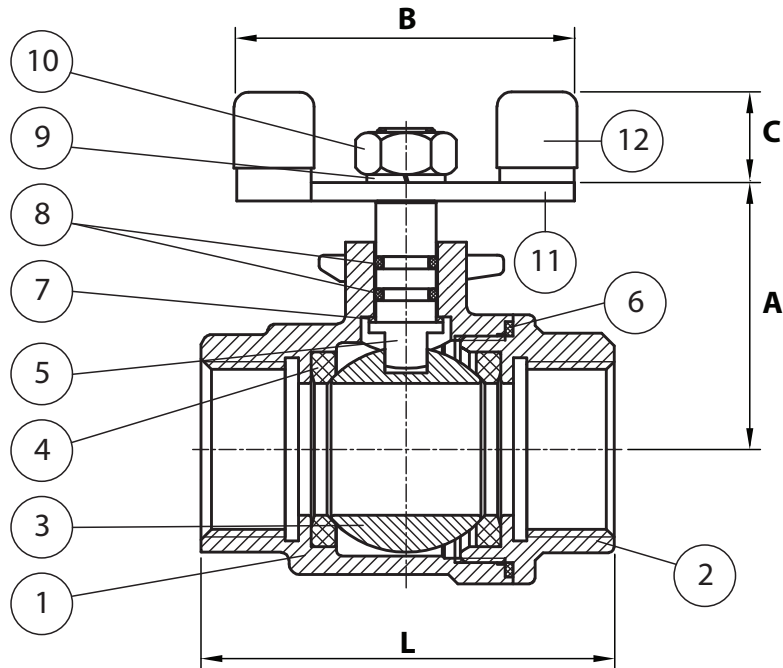
AGA 8265 G  
AS 4617

# Series 4415

Zetco AGA Approved 2-Piece Stainless Steel Ball Valve F&F T Handle



## DESCRIPTION



PARTS MATERIALS		
POS.	PART	MATERIAL
1	BODY	STAINLESS STEEL 316
2	END ADAPTOR	STAINLESS STEEL 316
3	BALL	STAINLESS STEEL 316
4	SEAT	PTFE
5	STEM	STAINLESS STEEL 316
6	GASKET	PTFE
7	THRUST WASHER	PTFE
8	O-RING	VITON®
9	SPRING WASHER	STAINLESS STEEL 304
10	STEM NUT	STAINLESS STEEL 304
11	HANDLE	STAINLESS STEEL 304
12	HANDLE SLEEVE	VINYL

DIMENSIONS (mm)								
Prod. Code	DN	Size - (mm)	A	B	L	C	Kv	Wgt Kg
4415006	8	1/4" - (6.3)	33	53	52	15	5.1	0.210
4415010	10	3/8" - (9.5)	33	53	52	15	6.0	0.193
4415015	15	1/2" - (12.7)	35	60	58	20	8.6	0.250
4415020	20	3/4" - (19.0)	42	60	67	20	21.4	0.369
4415025	25	1" - (25.4)	50	73	81	22	30.0	0.571
4415032	32	1 1/4" - (31.7)	55	73	94	22	39.4	1.05

