



# Series 4418

## Zetco AGA Approved 2-Piece Stainless Steel Ball Valve M&F T Handle BSP Threads

### DESCRIPTION

A 2-piece 316 grade stainless steel ball valve with BSP male & female connections AGA approved to AS 4617 for use in gas installations (Approval #8265 Type 1 - Isolation Valve). The compact T handle in robust stainless steel provides reliable performance in challenging environments and is ideal for use in installations where space is tight.

### FEATURES

<b>Design</b>	<ul style="list-style-type: none"> <li>Investment cast body in 316 grade stainless steel</li> <li>Compact handle design for applications with limited space</li> <li>PTFE ball seals for smooth, reliable operation</li> <li>Blow-out proof stem to prevent leakage and ensure safety</li> </ul>
<b>Production</b>	<ul style="list-style-type: none"> <li>Manufactured in China under ISO 9001 Quality Management System</li> <li>All valves are pressure tested during production</li> </ul>
<b>Technical</b>	<ul style="list-style-type: none"> <li>Male ISO 7/1 R (BSP) threaded connection</li> <li>Female ISO 7/1 Rp (BSP) threaded connection</li> <li>Flow capacity: Full bore</li> <li>Flow control: on/off only, not intended for throttling</li> <li>Temperature range: -20°C to 60°C</li> <li>Max. pressure: 4000 kPa (refer to graph)</li> </ul>
<b>Options &amp; Variants</b>	<ul style="list-style-type: none"> <li>Size range: DN8 (1/4") to DN32 (1 1/4")</li> <li>Series 4412 2-piece stainless AGA approved BSP M&amp;F lockable</li> <li>Series 4432 2-piece stainless AGA approved NPT M&amp;F lockable</li> <li>Series 4433 2-piece stainless AGA approved NPT M&amp;F T handle</li> <li>Underground and extended spindle options on request</li> </ul>



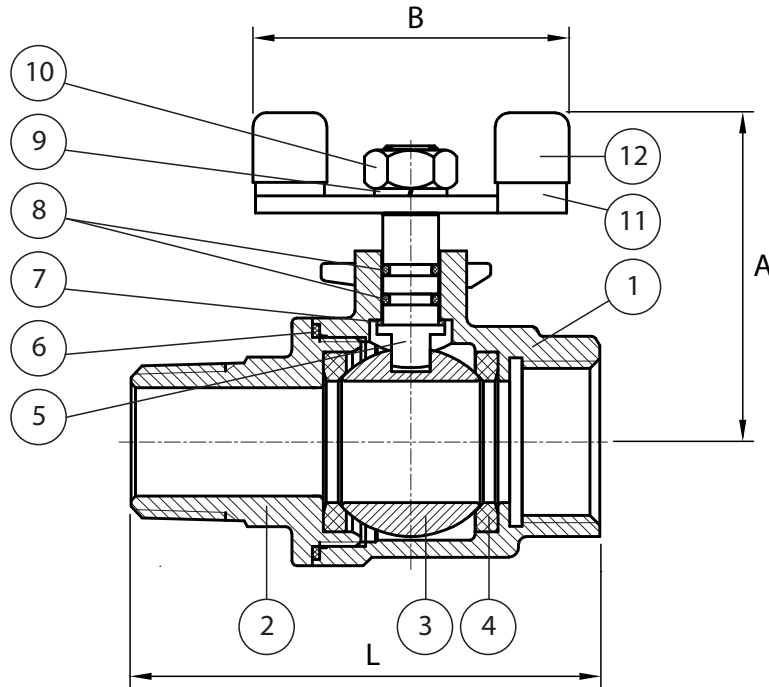
AGA 8265 G  
AS 4617

# Series 4418

Zetco AGA Approved 2-Piece Stainless Steel  
Ball Valve M&F T Handle BSP Threads



## DIMENSIONAL AND COMPONENT DIAGRAM



### PARTS MATERIALS

POS.	PART	MATERIAL
1	BODY	STAINLESS STEEL 316
2	END ADAPTOR	STAINLESS STEEL 316
3	BALL	STAINLESS STEEL 316
4	SEAT	PTFE
5	STEM	STAINLESS STEEL 316
6	GASKET	PTFE
7	THRUST WASHER	PTFE
8	O-RING	VITON®
9	SPRING WASHER	STAINLESS STEEL 304
10	STEM NUT	STAINLESS STEEL 304
11	HANDLE	STAINLESS STEEL 304
12	HANDLE SLEEVE	VINYL

### DIMENSIONS (mm)

Prod. Code	DN	Size - (mm)	A	B	L	Kv	Wgt Kg
4418006	8	1/4" - (6.3)	53	15	60	5.1	0.205
4418010	10	3/8" - (9.5)	53	15	60	6.0	0.200
4418015	15	1/2" - (12.7)	60	20	69	8.6	0.270
4418020	20	3/4" - (19.0)	60	20	79	21.4	0.386
4418025	25	1" - (25.4)	73	22	92	30.0	0.617
4418032	32	1 1/4" - (31.7)	73	22	105	39.4	1.07

### PRESSURE/TEMPERATURE GRAPH

