



Series 4422

Zetco WaterMarked 3-Piece Stainless Steel Low Temperature Ball Valve Socket Weld

DESCRIPTION

A 316 grade stainless steel 3-piece ball valve with socket weld end connections, WaterMarked to WMTS-012 (Licence WM-022793). Modified PTFE seals work reliably to prevent leaks at low temperatures and the valve can be dismantled for regular maintenance and cleaning. An integral ISO 5211 indirect mounting pad can be accessed by removing the lockable lever handle.

FEATURES

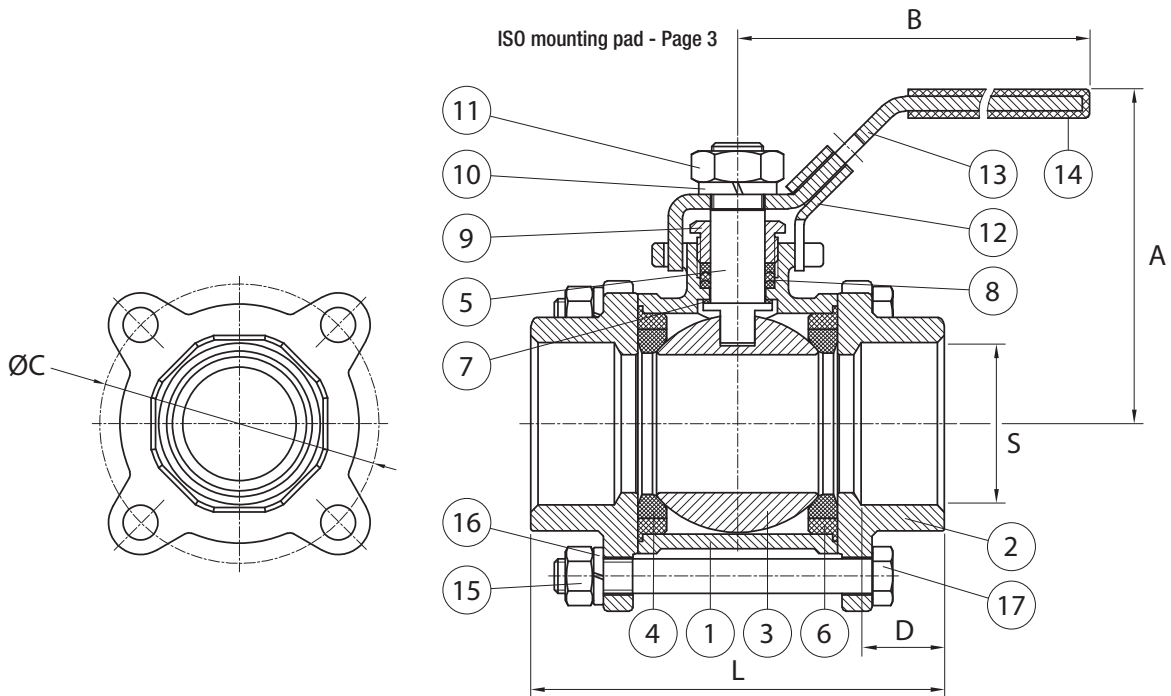
Design	<ul style="list-style-type: none"> Investment cast body in 316 grade stainless steel Double D stem for indirect mounting pad Modified PTFE ball seals for reliable operation at low temperatures Removable handle on ISO 5211 mounting pad (refer to p. 3) Handle can be locked in the open or closed position Blow-out proof stem to prevent leakage and ensure safety
Production	<ul style="list-style-type: none"> Manufactured in China under ISO 9001 Quality Management System All valves are pressure tested during production
Technical	<ul style="list-style-type: none"> Socket weld connections to ASME B16.11 (Class 3000) Flow capacity: Full bore Flow control: on/off only, not intended for throttling Temperature range: -60°C to 150°C Max. pressure: 4000 kPa (refer to graph)
Options & Variants	<ul style="list-style-type: none"> Size range: DN15 (1/2") to DN50 (2") Series 4419 3-piece stainless WaterMarked BSP F&F lockable Series 4423 3-piece stainless WaterMarked NPT F&F lockable Series 4424 3-piece s/steel WM BSP F&F, indirect mount ISO pad Series 4425 3-piece s/steel WM BSP F&F, direct mount ISO pad Series 4439 3-piece stainless AGA approved BSPT F&F lockable

Series 4422

Zetco WaterMarked 3-Piece S/Steel
Low Temperature Ball Valve Socket Weld



DIMENSIONAL AND COMPONENT DIAGRAM



PARTS MATERIALS

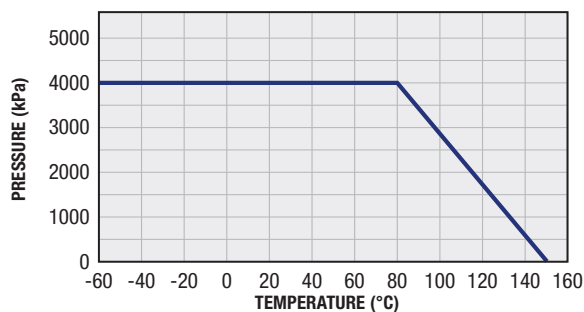
POS.	PART	MATERIAL
1	BODY	STAINLESS STEEL 316
2	END ADAPTOR	STAINLESS STEEL 316
3	BALL	STAINLESS STEEL 316
4	SEAL	TFM1600
5	STEM	STAINLESS STEEL 316
6	BODY GASKET	TFM1600
7	THRUST WASHER	TFM1600
8	STEM PACKING	TFM1600
9	GLAND	STAINLESS STEEL 304
10	SPRING WASHER	STAINLESS STEEL 304
11	STEM NUT	STAINLESS STEEL 304
12	LOCKING MECHANISM	STAINLESS STEEL 304
13	HANDLE	STAINLESS STEEL 304
14	HANDLE SLEEVE	VINYL
15	NUT	STAINLESS STEEL 304
16	BOLT WASHER	STAINLESS STEEL 304
17	BOLT	STAINLESS STEEL 304

DIMENSIONS (mm)

Prod. Code	DN	Size - (mm)	A	B	L	D	S	ØC	Kv	Wgt Kg
4422015	15	1/2" - (12.7)	65	123	63	16	21.8	47.0	8.6	0.490
4422020	20	3/4" - (19.0)	67	123	73	13	27.2	53.5	22	0.580
4422025	25	1" - (25.4)	77	153	85	19	33.9	59.6	30	0.870
4422032	32	1 1/4" - (31.7)	84	153	96	22	42.7	74.2	39	1.25
4422040	40	1 1/2" - (38.1)	92	183	114	22	48.8	84.0	69	1.83
4422050	50	2" - (50.8)	99	183	134	17	61.2	101.0	95	3.02

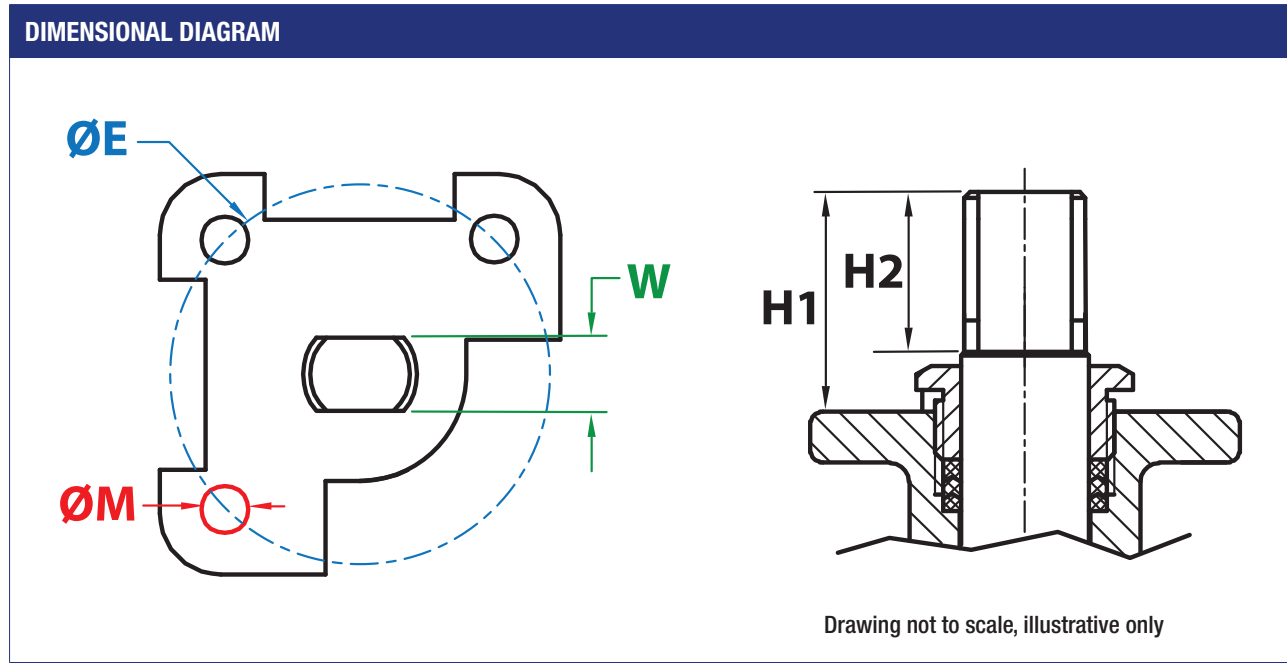
Additional dimensions for ISO mounting pad, page 3.

PRESSURE/TEMPERATURE GRAPH



ISO Mounting Pad

Technical Specifications



Specification		Dimensions (mm)					Torque (Nm)		
Size (mm)	ISO 5211	ØM	ØE	W	H1	H2	Operating	Maximum	MAST*
8	F03	M5	36	5.0	15	7	5	7	11
10	F03	M5	36	5.0	15	7	6	8	12
15	F03	M5	36	6.5	16	9	7	10	15
20	F03	M5	36	6.5	16	9	8	15	23
25	F04	M5	42	8.0	21	9	12	20	30
32	F04	M5	42	8.0	21	9	17	30	45
40	F05	M6	50	9.5	25	11	25	35	55
50	F05	M6	50	9.5	25	11	30	40	60
65	F07	M8	70	12.0	41	22	45	55	85
80	F07	M8	70	12.0	39	22	60	70	110
100	F07	M8	70	12.0	39	22	70	90	135

* MAST - Maximum Allowable Stem Torque

Applies to:

Series No.	Description
4422	Zetco WaterMarked 3-Piece Stainless Steel Ball Valve Lockable - Socket Weld DN15-50
4424	Zetco WaterMarked 3-Piece Stainless Steel Ball Valve Lockable - F&F BSP Threads